

CENTATEQ

P/E-510 / P-610

One complete system. Maximum performance.

Our CNC processing centers







Be on the safe side with HOMAG.

You should not experiment with investment in a new machine or plant. Rely on the competence, experience and reliability of a strong partner – rely on HOMAG.

YOUR SOLUTION

CONTENTS

- 06 The models
- 08 Operating concept
- 10 Energy efficiency
- 11 Safety
- 12 Economic efficiency as standard
- 14 As individual as your needs
- 16 Diversity – produced productively
- 18 Scalable performance
- 20 Main spindle technology
- 22 Drilling technology
- 24 Tool changer
- 26 Units
- 28 Edge banding
- 30 Innovative edge banding technology for everyone
- 32 Table types
- 40 Special clamping technology
- 42 Automation
- 44 Software – control system
- 46 Apps and digital assistants
- 48 Life Cycle Services
- 50 Technical data

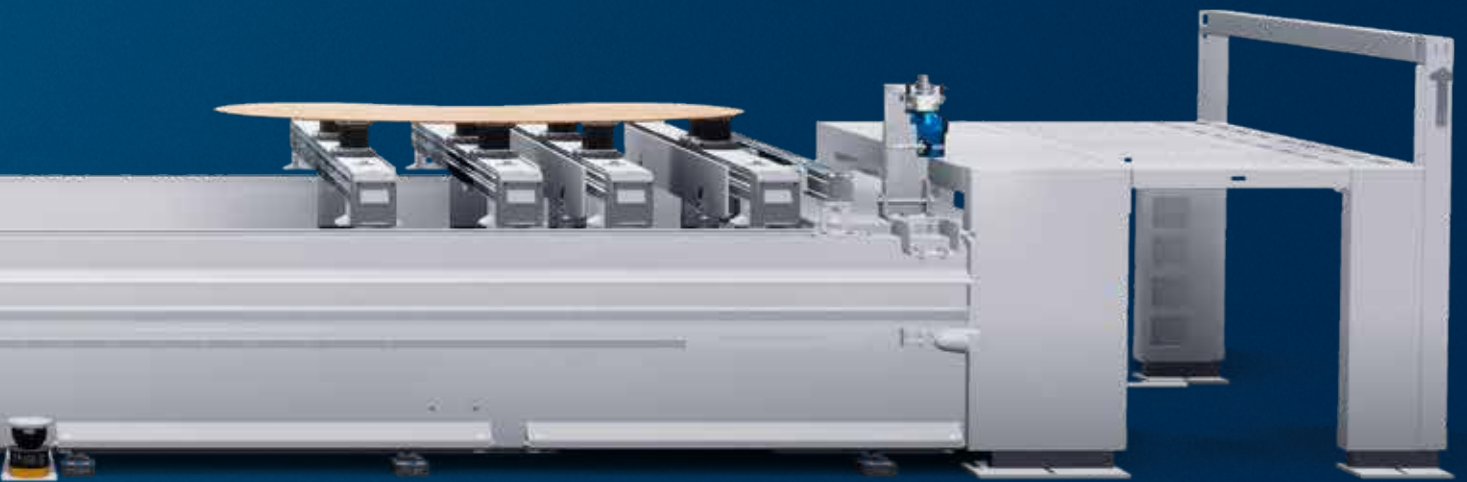


HC

HC | HOMAG

CENTATEQ E-510

CENTATEQ E-510





CENTATEQ E-510

Processing center for edge gluing with 2 independent Y axes



CENTATEQ P-510

3-stage clamping system with complete table assignment for window production



CENTATEQ P-510

4- and 5-axis combination in conjunction with automatic table for the production of doors and stairs



CENTATEQ P-610

High Z axis and DRIVE5+ 5-axis head with double-sided bearing for 3D parts processing up to 500 mm

Operation made easy

WORKING ON A CNC MACHINE HAS NEVER BEEN SO EASY AND CONVENIENT:

All of the essential functions are directly in view and mounted directly on the machine. Thanks to the large viewing window everything is always in view. Access to the table is free, no disturbing fences and barriers are required to the left and right. Full implementation of the bumpers combines optimal productivity, security and access to the machine.



Switch bar instead of foot switch – no searching and moving the foot switch – stops, output stroke rails and vacuum clamping can be activated easily.



Key for program start directly on the left and right stop profile of the machine table. The clamping status is immediately in view thanks to the multi-colored light display.

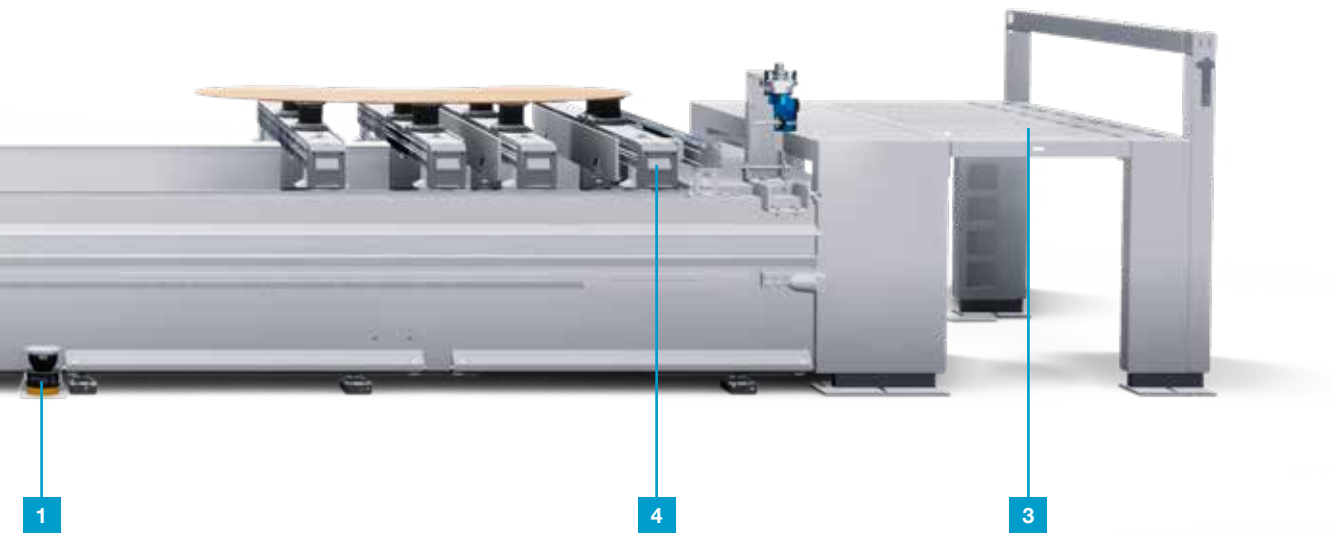


Easy access – drill changes, service, refilling adhesive and edge changes can be carried out easily from the front side of the machine.

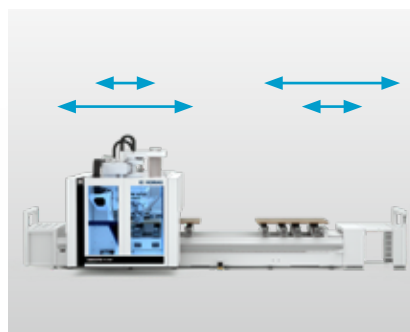
1 safeScan (option): area scanner for contact-free protection of the positioning with the automatic table and feed reduction in conjunction with the Speed Pack.

2 Convenience package (option): release, starting a program, pausing and continuing, and raising and lowering the hood can be controlled directly on the machine at the touch of a button. An integrated proximity scanner for intelligent pausing is included.

3 Deposit position to the left and right on the machine for clamping equipment.



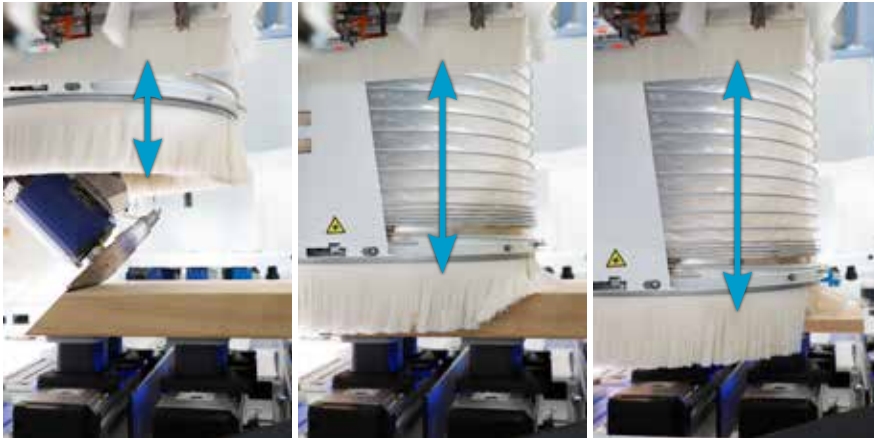
Smart support for help and maintenance using the service pad and display of the machine status on smart devices.



Dynamic shuttle operation without fixed field subdivision. This means that even if long parts are on one side of the machine, a short part can still be placed on the other side.

Energy efficiency

Effective suction at low connected load thanks to optimized detection and removal of chips. Reduced power consumption thanks to standby mode for all power components at the push of a button or automatically after a defined time interval. Reduced compressed air consumption thanks to optimized pneumatic components.



Always in the right place

Effective suction at low connected load thanks to optimized detection and removal of chips. The hood is infinitely adjustable by motor and automatically adapts to the workpiece thickness.



Low-maintenance and controllable vacuum technology

Vacuum pumps with low-maintenance technology ensure a consistently high level of efficiency. The vacuum generation can be adjusted to suit the requirement by automatically (or manually) switching the pumps on and off or by controlling the speed.

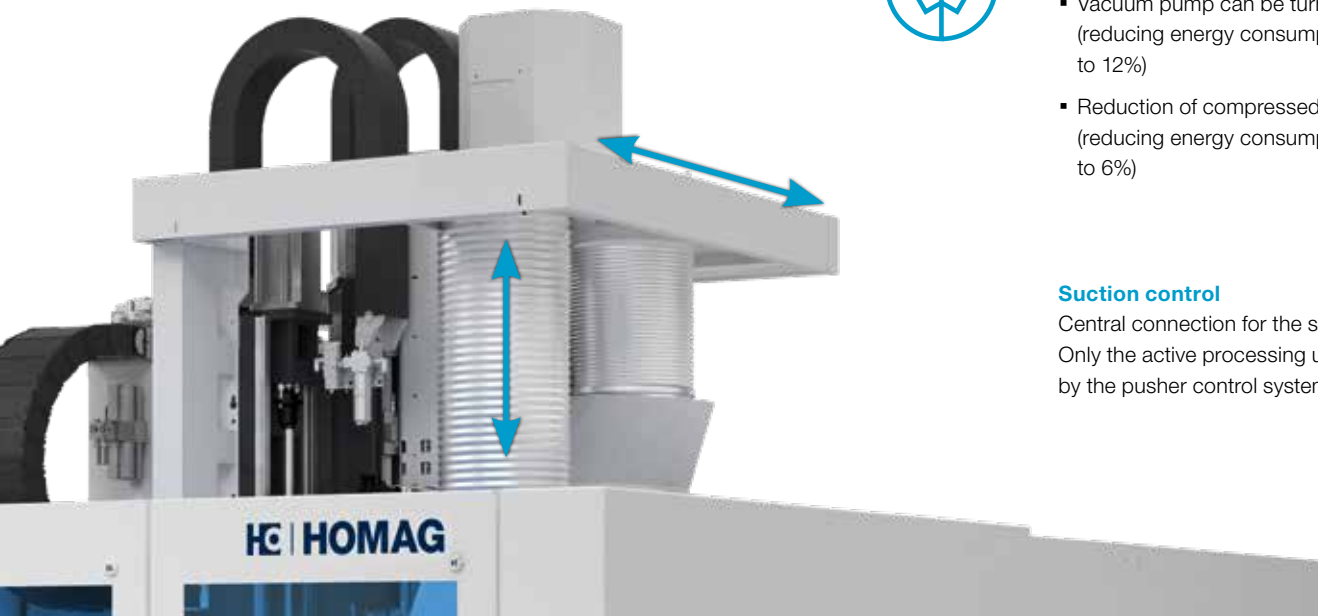


ecoPlus – Energy saving function

- Easy activation of the standby mode
- Vacuum pump can be turned off (reducing energy consumption by up to 12%)
- Reduction of compressed air usage (reducing energy consumption by up to 6%)

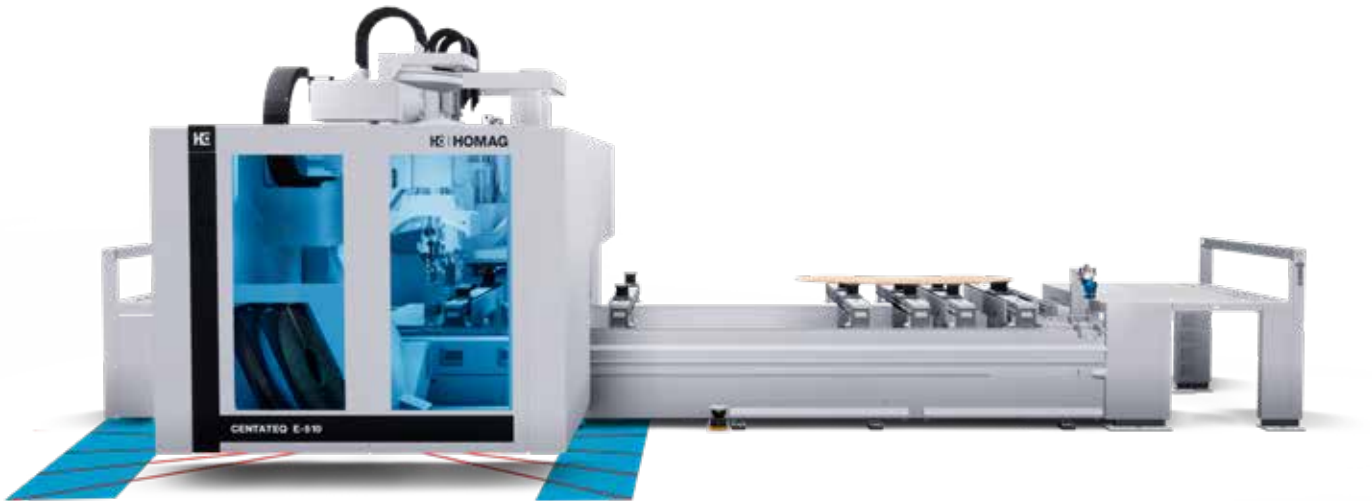
Suction control

Central connection for the suction device. Only the active processing unit is suctioned by the pusher control system.



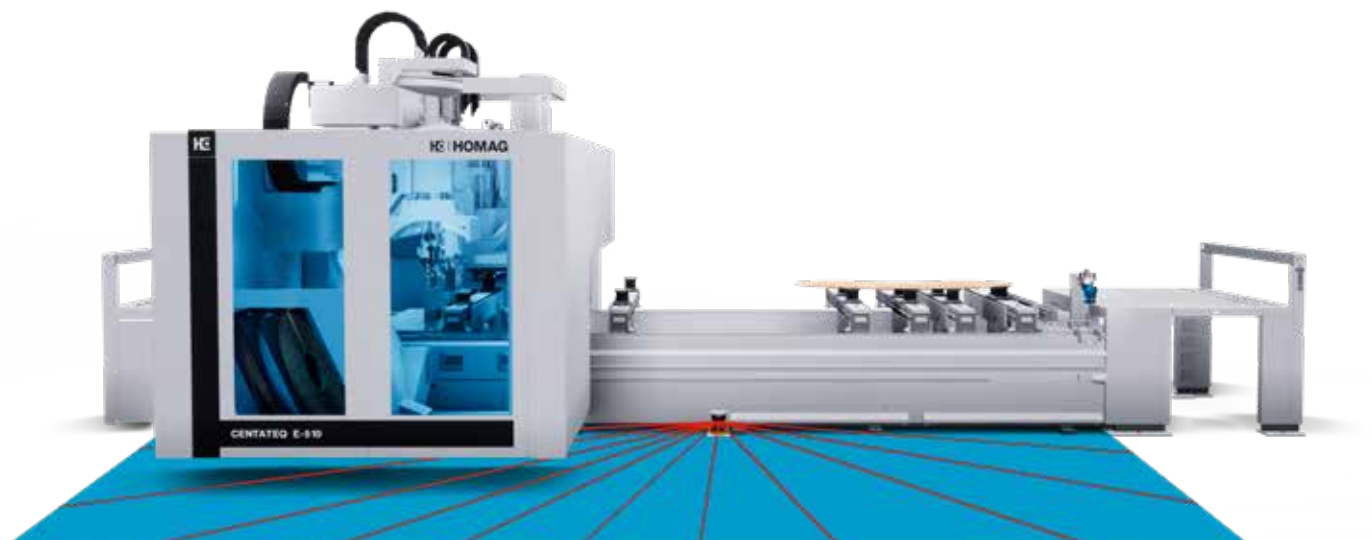
Option: Convenience package

Handling literally next to the machine. You can start the program, pause, clear the work area and raise the extraction hood directly on the gantry enclosure using the buttons. The additional proximity scanner stops a program before it comes into contact with the bumper. The program is continued at the same point at the push of a button.



Option: safeScan

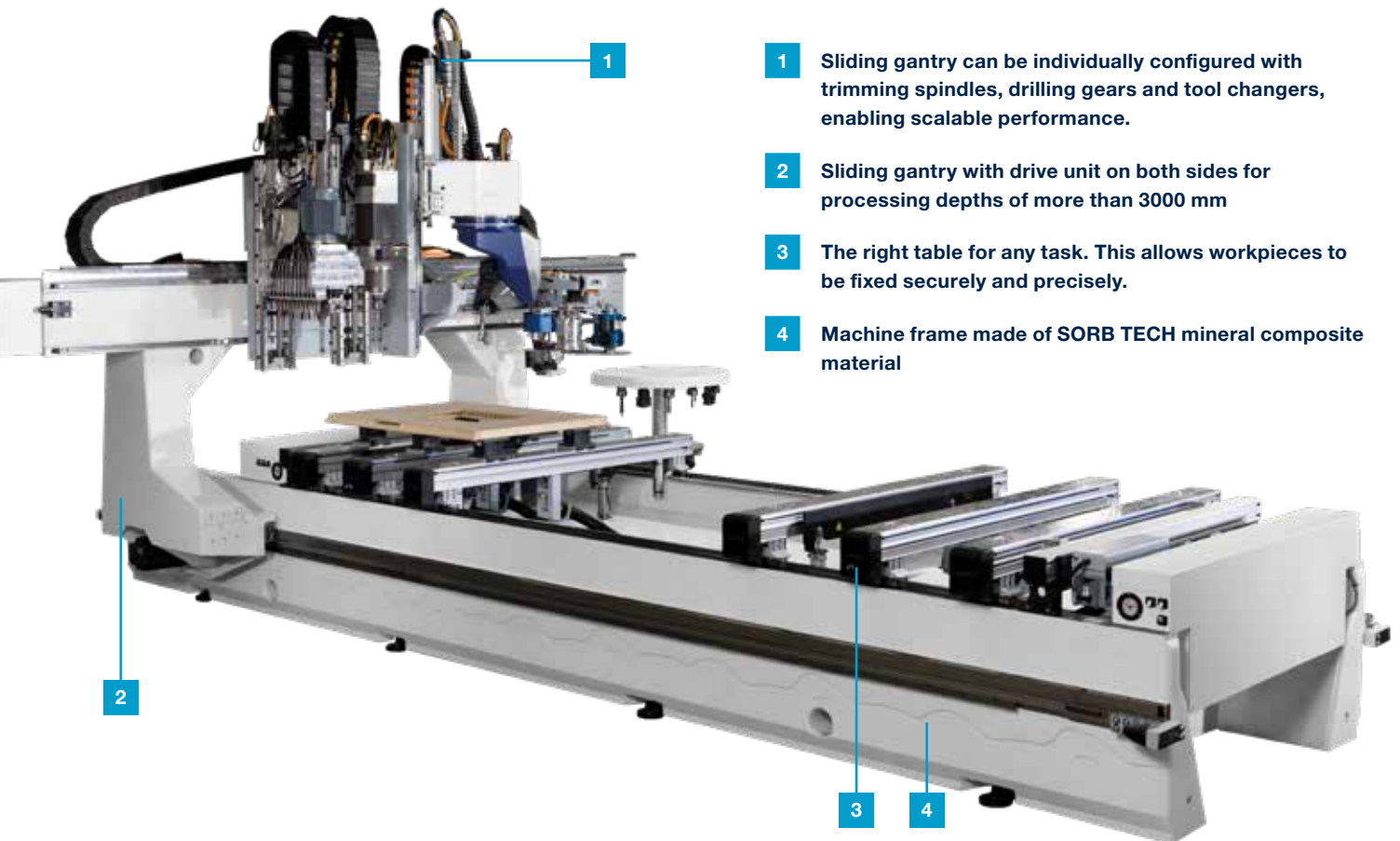
Area scanner for contact-free protection of the positioning with the automatic table and feed reduction in conjunction with the Speed Pack.



Economic efficiency as standard

When you decide on a HOMAG machine, you receive a powerful processing center for a wide range of tasks. Each

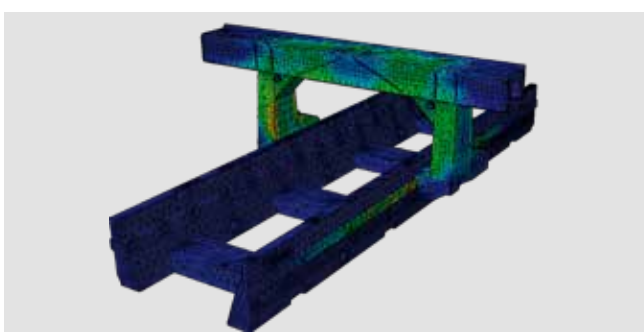
machine is a complete system that guarantees maximum performance and efficiency in individual production tasks.



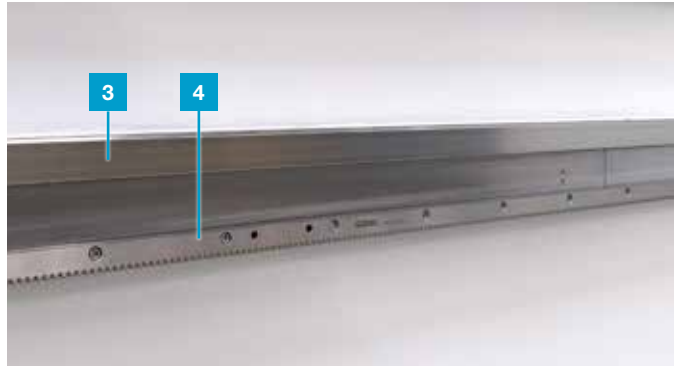
- 1** Sliding gantry can be individually configured with trimming spindles, drilling gears and tool changers, enabling scalable performance.
- 2** Sliding gantry with drive unit on both sides for processing depths of more than 3000 mm
- 3** The right table for any task. This allows workpieces to be fixed securely and precisely.
- 4** Machine frame made of SORB TECH mineral composite material



Protecting the environment and improving economic efficiency: A heavy machine bed made of the new vibration-absorbing material SORB TECH saves approx. 60% primary energy and increases the processing quality.

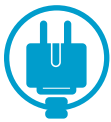


Highly rigid gantry design optimized for high workpiece quality using the finite element method.



- 1** Automatic central lubrication of all main axes
- 2** Closed energy chains to protect cables and hoses

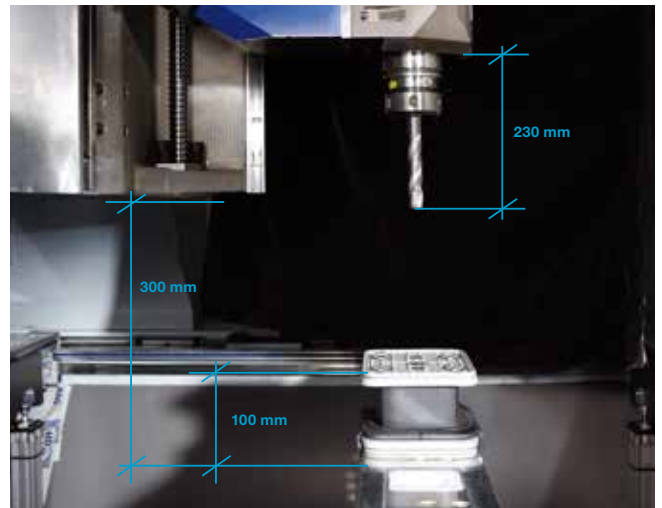
- 3** Covered linear guide with closed guide carriage
- 4** Toothed rack and pinion drive systems in X and Y



UPS
(uninterrupted power supply)
Protects the computer against damage caused by fluctuations in voltage, overload and short circuit



Air conditioning (optional)
Air-conditioned switch cabinet



Block processing: Cubic workpieces up to 300 mm (500 mm) in height can also be processed with maximum tool lengths of 230 mm (from HSK support) thanks to the large Z axes of 600 mm (910 mm).



Central switch cabinet with height-adjustable powerTouch operator terminal, UPS to protect against data loss, Backup Manager for data backup and network connection. Light on the switch cabinet for status display.



Mobile operator terminal with 24" full HD multitouch display can be moved freely. To the left or right of the machine, or for the run-in directly in front of the machine – the terminal is always at the right place.

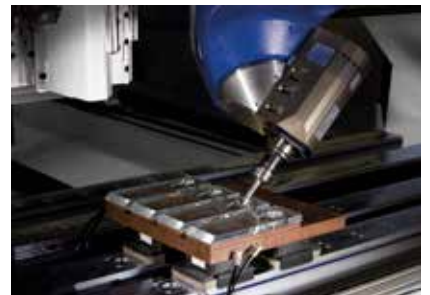
As individual as your needs

When you decide on a HOMAG machine, you receive a powerful processing center for a wide range of tasks. Each machine is a complete system that guarantees maximum performance and efficiency in individual production tasks.

SHAPED PARTS



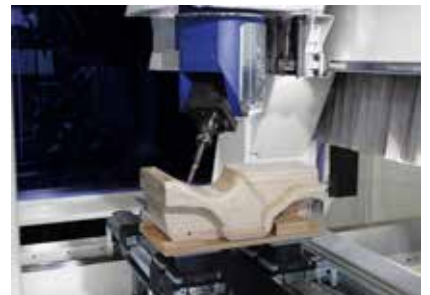
Trimming of components with a high Z height



High-gloss trimming of acrylic parts



Trimming of machine components



Interpolating processing of free-formed workpieces

STAIRS



Trimming a staircase handrail

DOORS



Precise and tear-free miter cuts

FURNITURE



Trimming a chamfer on a table plate



Separating cuts up to 110 mm in height



Trimming the lock casing



Angular cutting of a glass rabbet corner



Paling holes at a tight angle



Trimming a burr connection for jamb/rail designs



Trimming of angled grooves for panel connection

Diversity – produced productively

Our technology impresses in a sector where individual solutions are increasingly in demand. Various design styles and design solutions can be implemented efficiently and economically.



Chamfered edge gluing

EDGE POST-PROCESSING



Scraper processing on the mitering edge



Traced flush milling of the edge overhangs on the postforming profile



Perfect edge finish through traced combination flush trimming/scraper unit

EDGE BANDING



easyEdge gluing unit for rational gluing on shaped parts

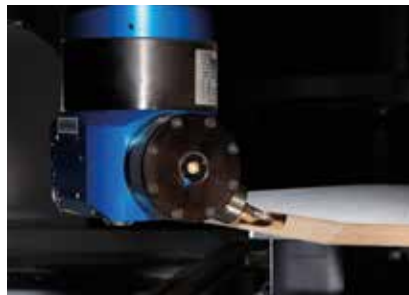


360° edge gluing with the powerEdge Pro Duo edge banding unit

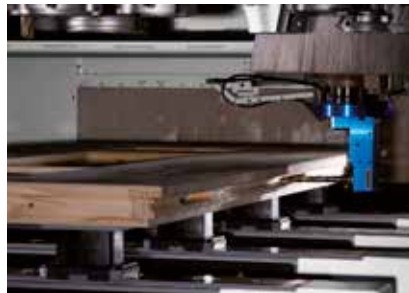


Edge gluing for components up to 100 mm high

ROUTING



Processing at free angles with the FLEX5+ unit



Lock casing trimming on front doors

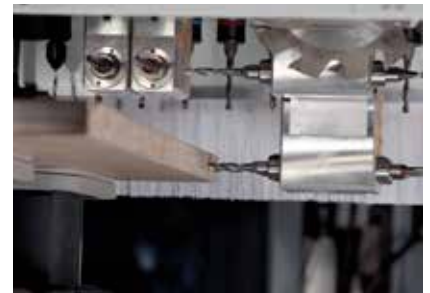


Profiling frame parts

DRILLING



High-speed drilling technology with groove saw



Horizontal drilling for cabinet connections



Made-to-measure dowel corner joints

Scalable performance

Up to three processing units can be set up individually. For a quick tool change, e.g. with two trimming spindles and a drilling gear in conjunction with two tool changers.



Tool changer:

Tool storage systems with up to a total of 97 slots provide the basis for flexible use of various tools and units, even with large diameters of up to 200 mm. Saw blades can have a diameter of 350 mm for large cutting depths including miter cuts (14-slot or 24/32-slot changer).

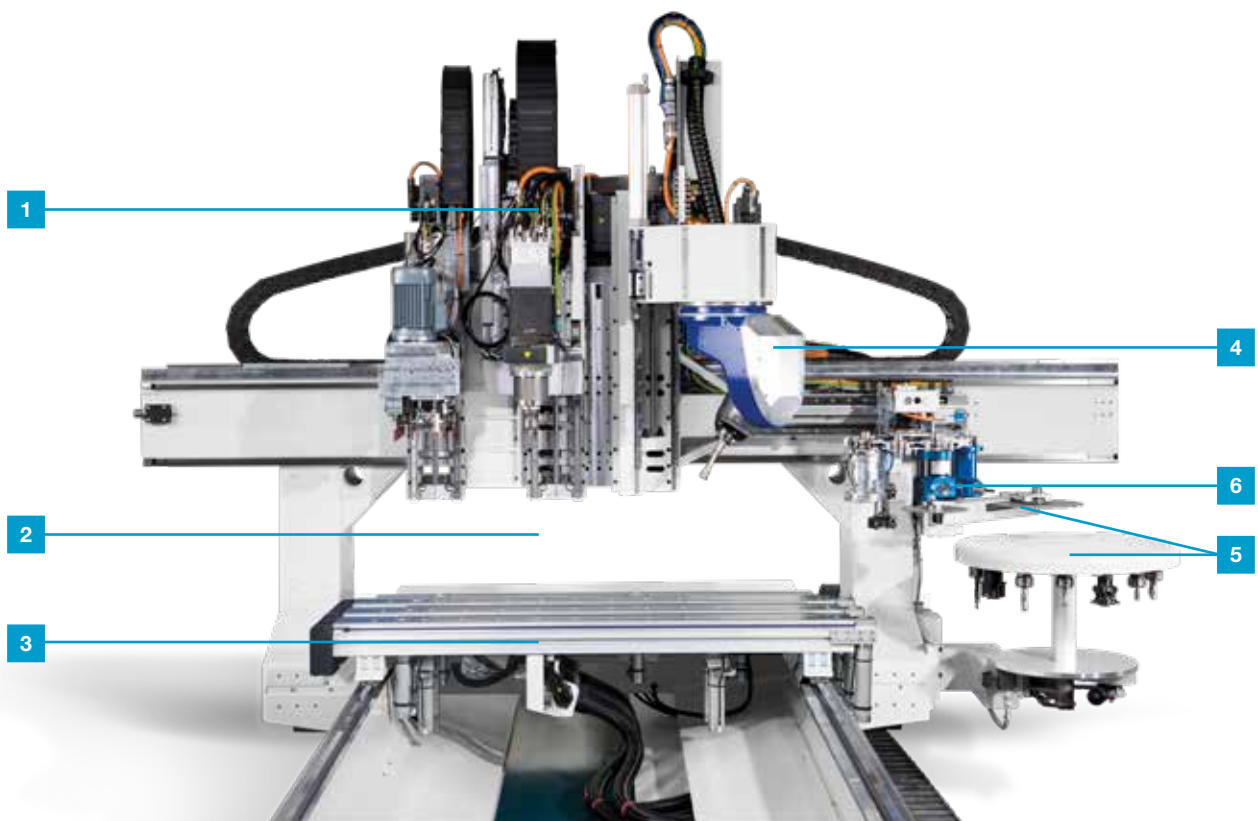


Rapid tool change: As it is designed with two trimming spindles, the chip-to-chip times are reduced and productivity is increased. While one spindle trims, the second inserts the tool for the next processing step.



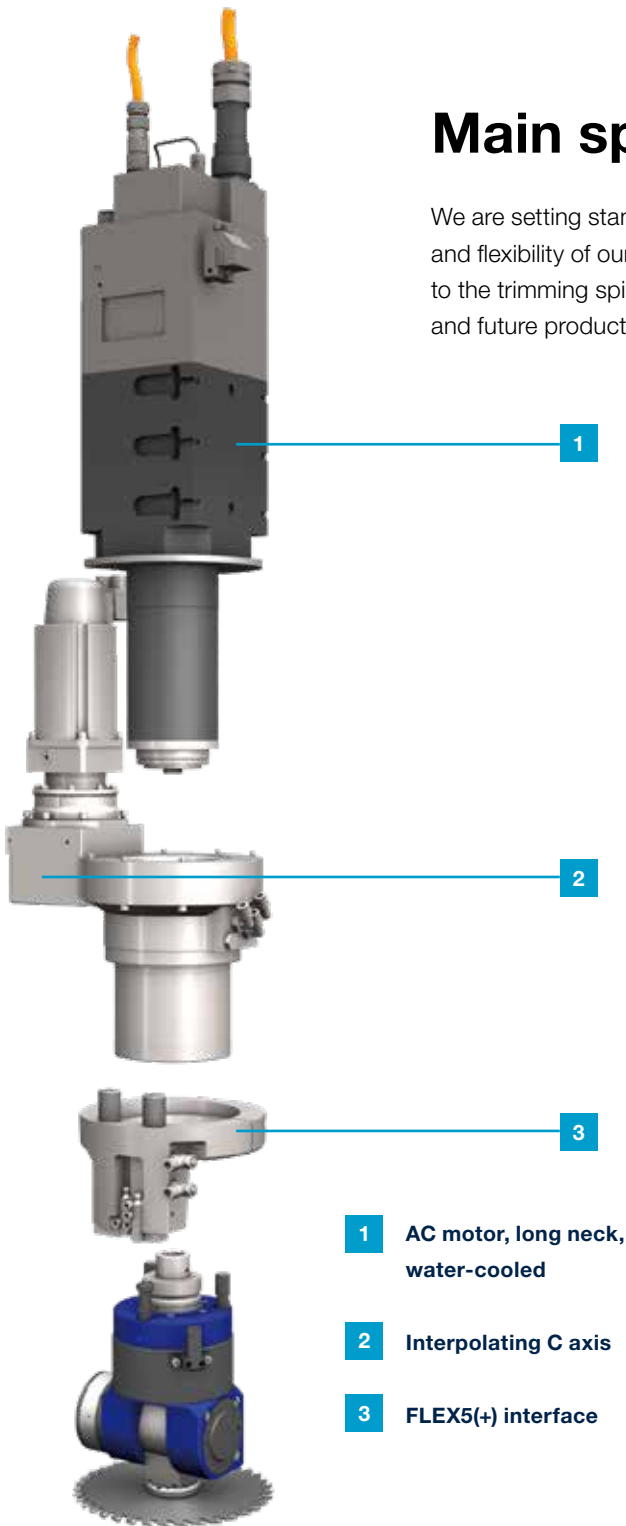
Synchronized processing: synchronized processing of 2 workpieces clamped at a fixed distance on the table for maximum performance thanks to 2 trimming spindles with tool changers of the same configuration.

- 1** All processing units on separate Z axes: reduction in the mass moved, improved machine dynamics
- 2** Actual processing height of 300/500 mm, even with long tool lengths
- 3** Console table with high-precision linear guides and robust insertion aids
- 4** Powerful 4- and 5-axis trimming spindles with spindle sensor and encoder feedback
- 5** Piggyback tool change systems in X for high capacity and quick access via both spindles
- 6** Tool changer piggybacking on the spindle for tool change during drilling

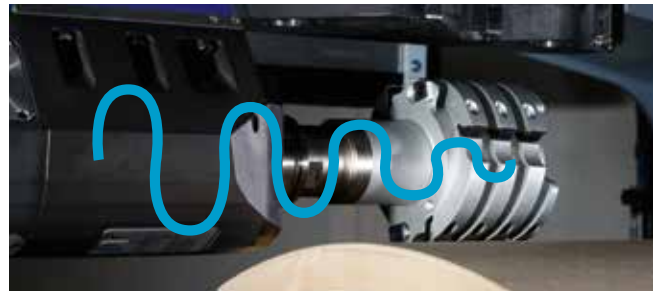


Main spindle technology

We are setting standards with our main spindle technology, thereby increasing the performance and flexibility of our machines. Our highlights include the vibration sensors, which avoid damage to the trimming spindles, and the 5-axis technology. Select the spindle suitable for your current and future product range.



4-axis trimming spindle with unit interfaces, which open up almost unlimited production opportunities. With patented technologies the range of tasks can be expanded at any time.



Liquid cooling and spindle sensor

Liquid-cooled trimming spindles with hybrid storage offer a long service life. An additional vibration sensor detects tool imbalance and protects the spindle against overloading, due to high feed speeds for example.



Sawing, trimming, drilling at any angle

FLEX5+ unit with automatic angle adjustment and automatic tool change. A unique unit for 4-axis spindles, which covers over 90% of 5-axis applications.



Minimum quantity lubrication

Process aluminum with minimum quantity lubrication by the unit or via an external spray pipe on the spindle for tool-friendly use.



sensoflex tracing system

- Perfect workpiece quality – the traced spindle equalizes all uneven areas and tolerances
- Full flexibility as tracing can be used for various tools



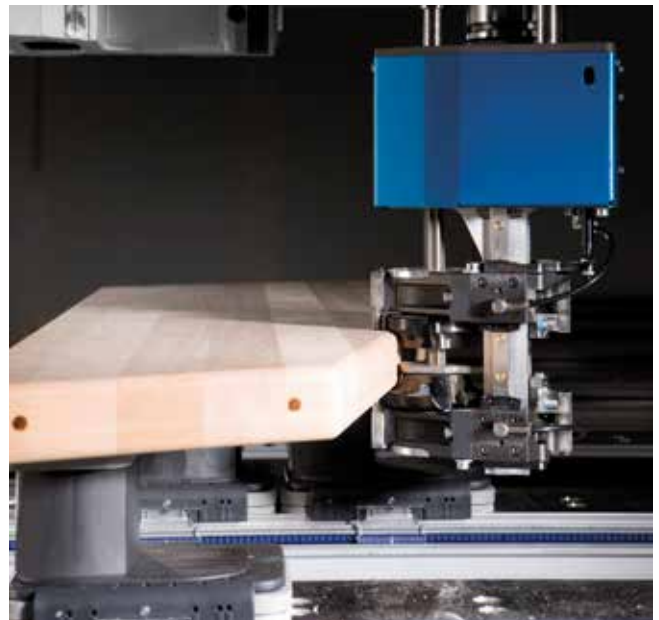
DRIVE5+ five-axis milling spindle

Contour-shaped workpiece processing with a high part height thanks to a Cartesian arrangement, and high-performance milling thanks to spindles with double-sided bearings up to 18.5 kW.



Five-axis trimming spindle

DRIVE5C/+ – with 10 kW of power (optionally 12 or 15 kW) and a controlled spindle speed of up to 24,000 rpm for a high torque even at low engine speeds.

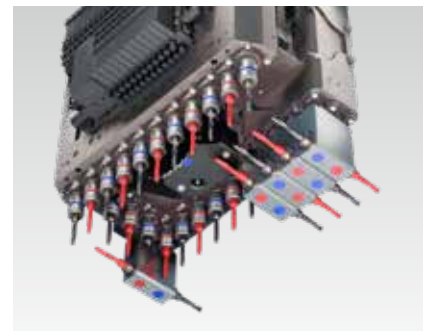
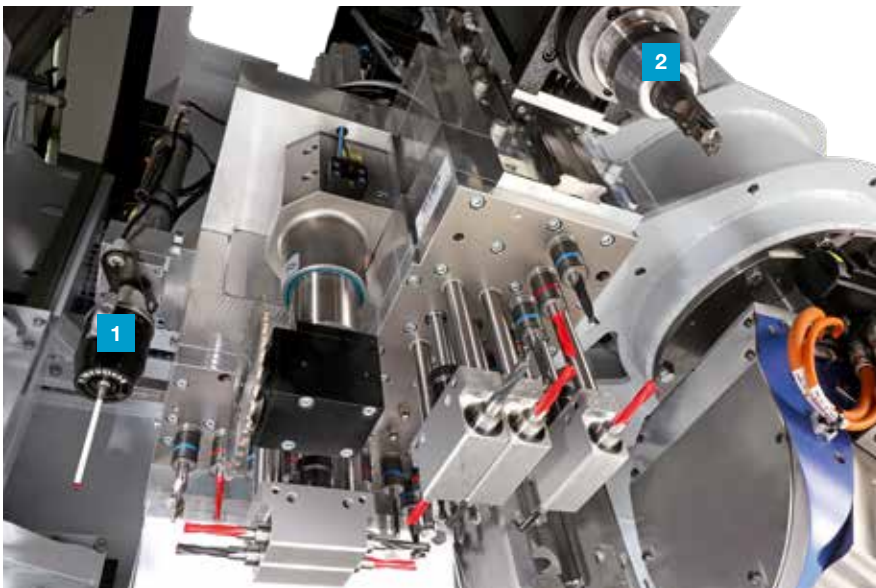


Pneumatic interface

The patented interface with 3-way support on all C-axes and 5-axis heads enables the use of traced units, e.g. for precise rounding off at the top and bottom no matter the thickness tolerances.

HOMAG drilling technology: The best of the best

High-speed drilling technology, patented clamping of the spindle and quick-change system for tools. Precise drilling, fast cycles, maintenance-free and durable construction. Additional optional attachments expand the machine's range of applications.



Multi-Processing Unit (MPU)

The Multi Processing Unit can be rotated by 360° in an infinitely variable manner. For this reason, both the saw and all 20 vertical spindles and 10 horizontal spindles can be used at any angle. An optional trimming spindle attachment saves time on tool changes and increases productivity.

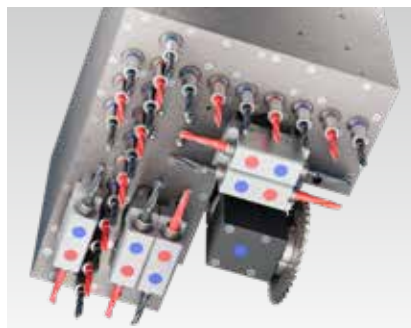
1 Measuring device to identify the relevant actual dimensions in X, Y, Z with automatic offset correction in the processing program.

2 Additional trimming spindle



Drilling gear V12/H4X2Y

- 18 drilling spindles [high speed 7500]
- 12 vertical drilling spindles
- 4 horizontal drilling spindles in X
- 2 horizontal drilling spindles in Y
- Groove saw Ø 125 mm (0°/90°)



Drilling gear V21/H6X4Y

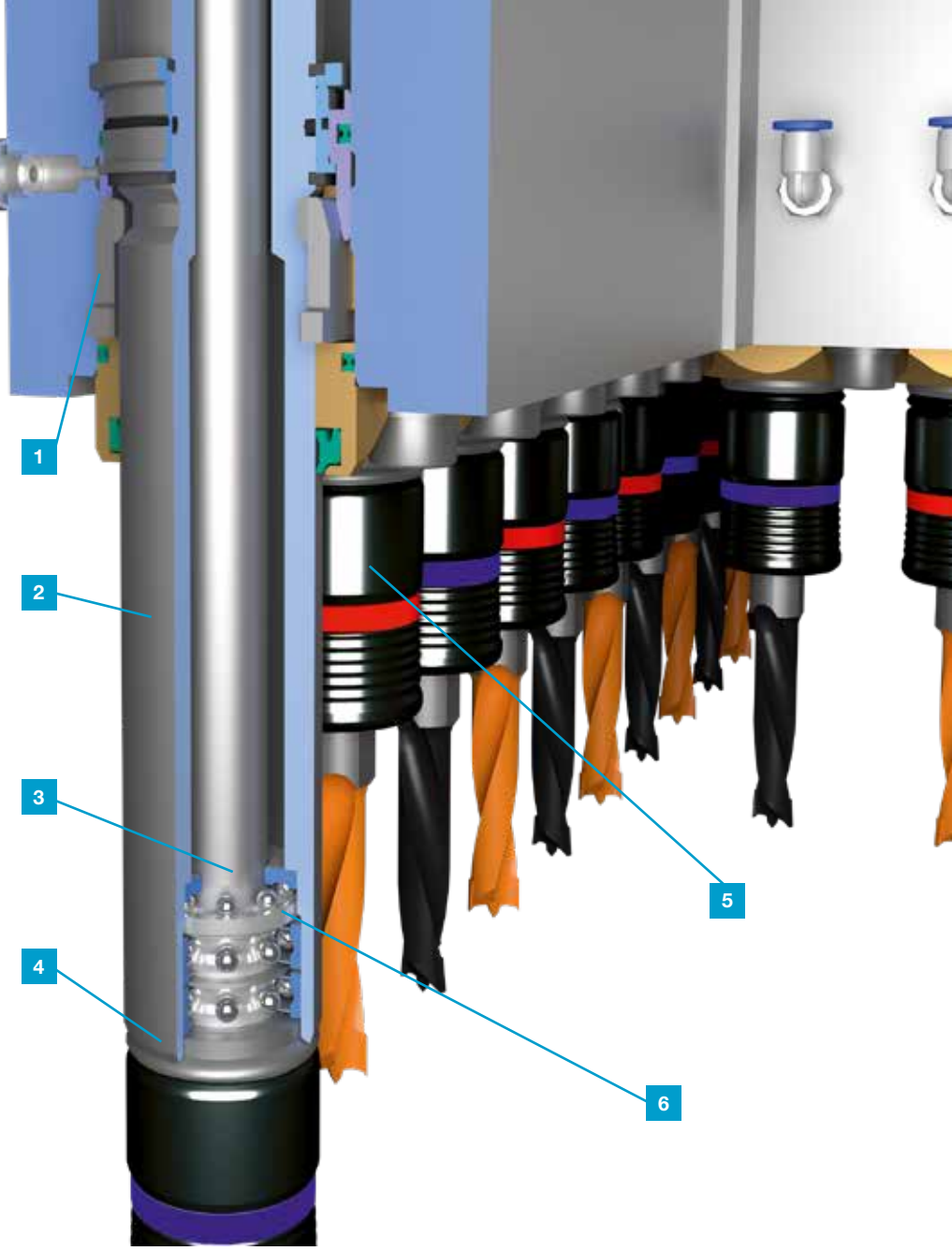
- 31 drilling spindles [high speed 7500]
- 21 vertical drilling spindles
- 6 horizontal drilling spindles in X
- 4 horizontal drilling spindles in Y
- Groove saw Ø 125 mm (0°/90°)



Drilling gear V36/H4X2Y

- 42 drilling spindles [high speed 7500]
- 36 vertical drilling spindles
- 4 horizontal drilling spindles in X
- 2 horizontal drilling spindles in Y
- Groove saw Ø 125 mm (0°/90°)

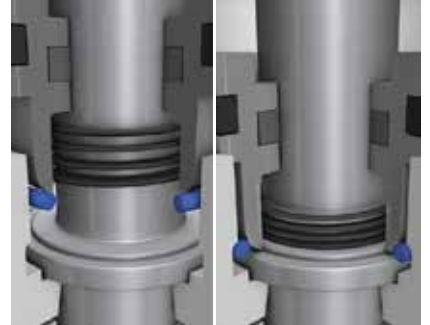
- 1** Spindle lock for accurate drilling depth
- 2** Dual-effect cylinder: pneumatic spindle advance and return stroke
- 3** Large diameter of the sleeve and short and constant distance of the drill bit to the bearing for high lateral stability and high precision
- 4** Vertical sleeve: the vertical drill sleeve is extended, the drilling spindle is housed in the sleeve
- 5** Quick-change system for tool-free drill change
Alternative: Weldon changing system
- 6** Separate axial bearing to absorb the direct drilling forces



Weldon changing system for a drill change with tools



Patented quick-change system for a drill change without tools to reduce setup times.

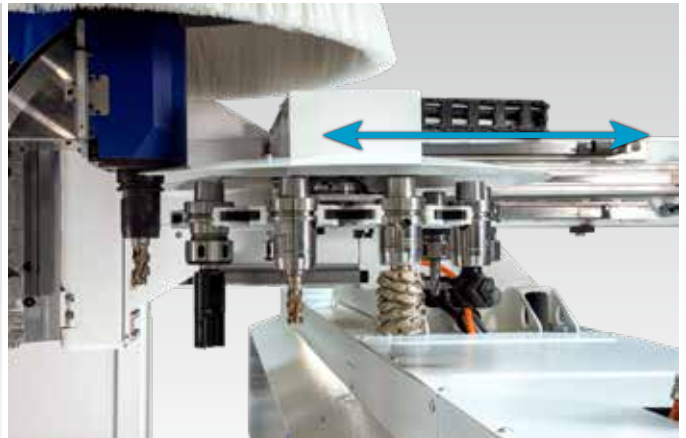


Automatic spindle lock – patented system for a drilling depth that is always accurate for numerous different materials. With speeds from 1500–7500 rpm for high feed speeds or short drill cycles.

Tool changer

Simply flexible. Everything is secure and quick to access. Tool changers are the basis for flexible utilization of tools and units, and also for large saw blades or heavy units.

Our systems with up to 97 (72+24+1) storage slots ensure fast processing thanks to short change times.



10-slot disk changer piggybacking on the spindle. Tool change during drilling or edge banding. For tools and units with a diameter of up to 180 mm.



14-slot disc changer for tools and units with a diameter of up to 200 mm and saw blade up to 350 mm in diameter.



32-slot (24-slot) tool changer – arrangement of the tools in an inner and an outer ring. For tools and units with a diameter of up to 200 mm and saw blade up to 350 mm in diameter (in the outer ring).



72-slot chain changer –
high capacity and fast change times
thanks to upstream double grippers.



An additional pick-up slot for saw blades up to a diameter of
350 mm saves space in the tool changer. Can be freely combined
with other tool change systems.



The tool transfer station allows the tool changer to be easily loaded
and prevents errors.

Units

Excellent processing quality and new standards for speed

The HOMAG units provide numerous innovative technologies. They can be combined and precisely coordinated to your specific application situation. Even special tasks are worked out safely and efficiently.



Corner notching unit



Underfloor routing unit



Boring/routing unit



Boring/routing unit



FLEX5 drilling/sawing/routing unit



Routing unit



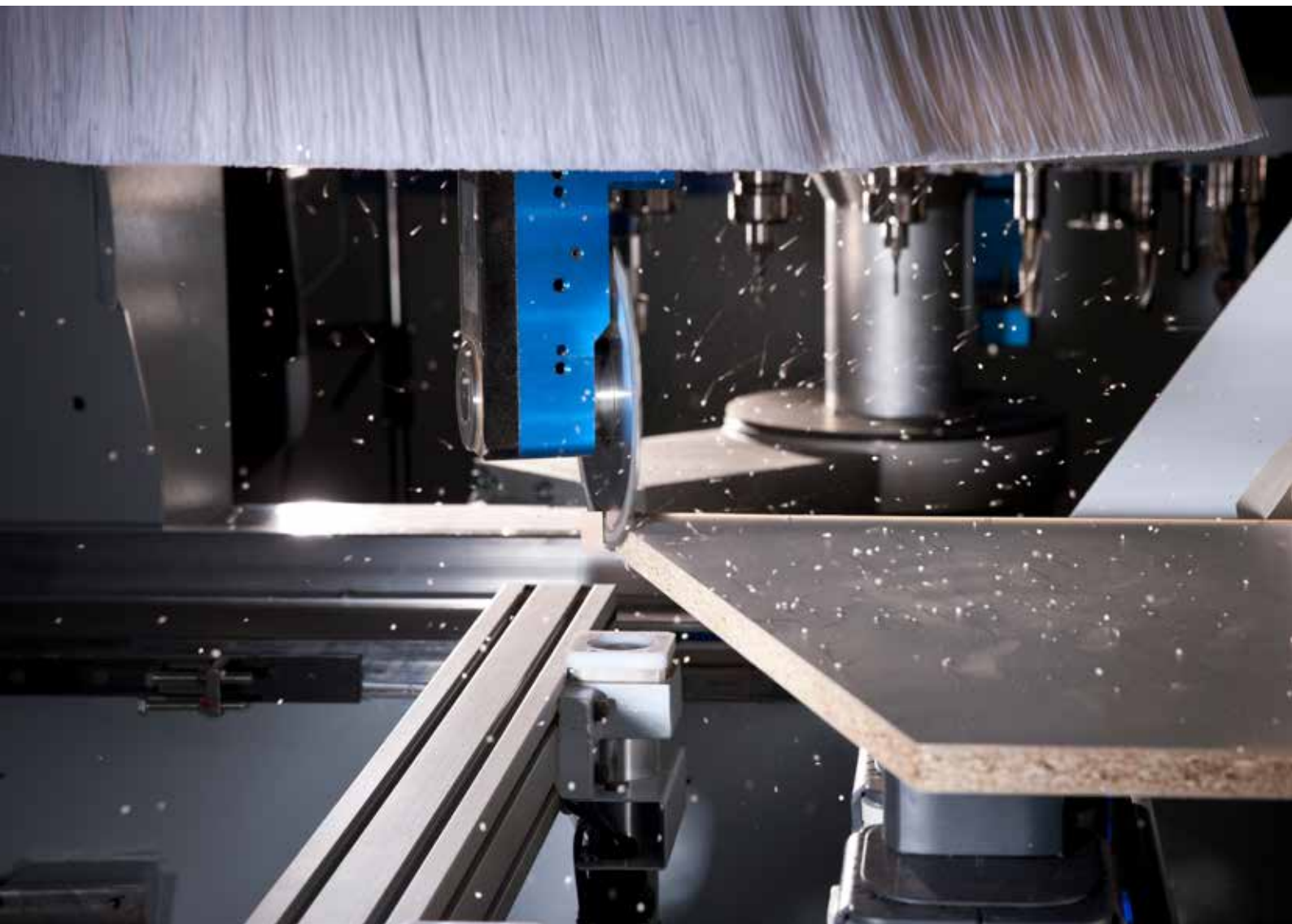
Lock-plate routing unit



Belt sanding unit

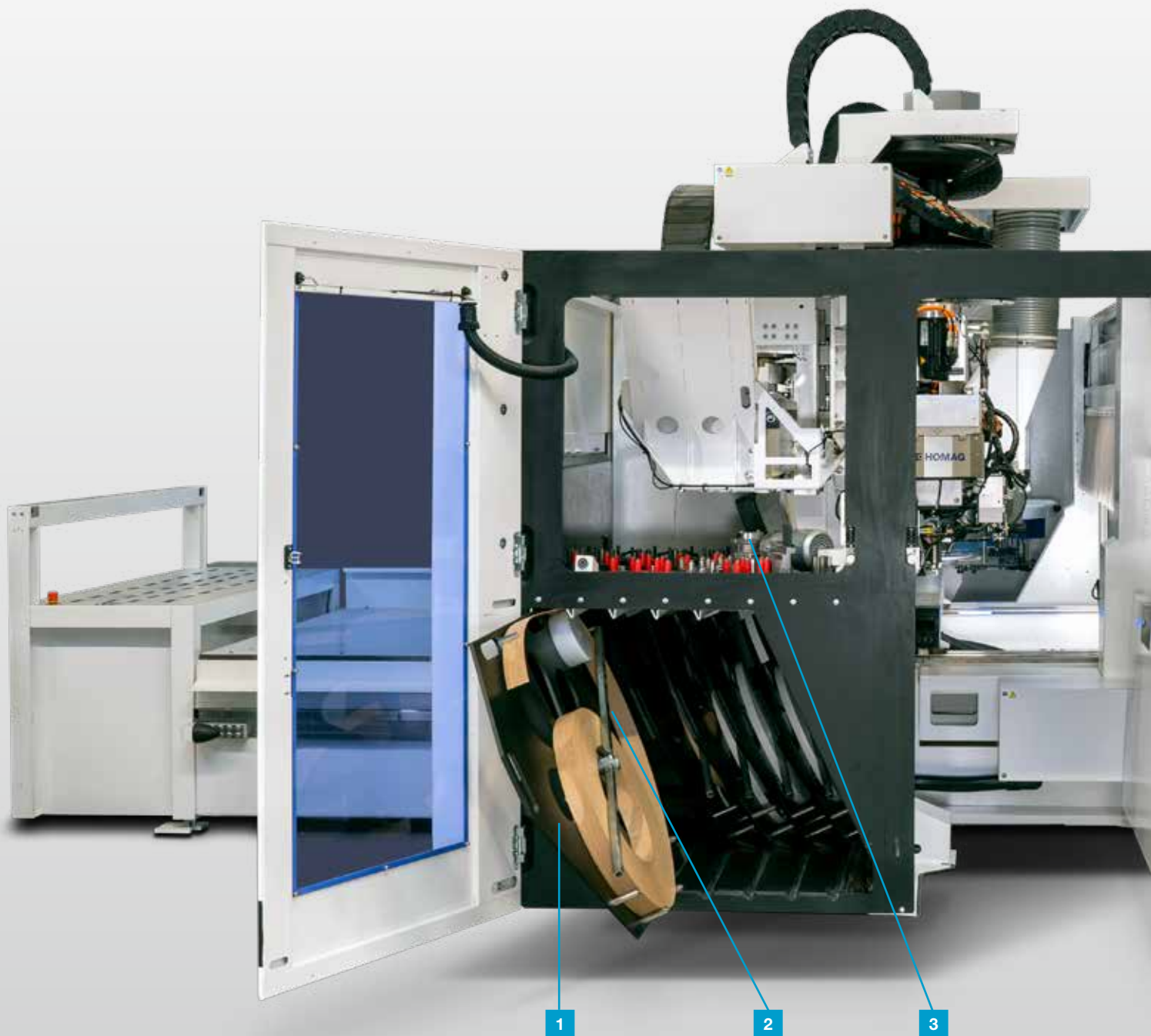


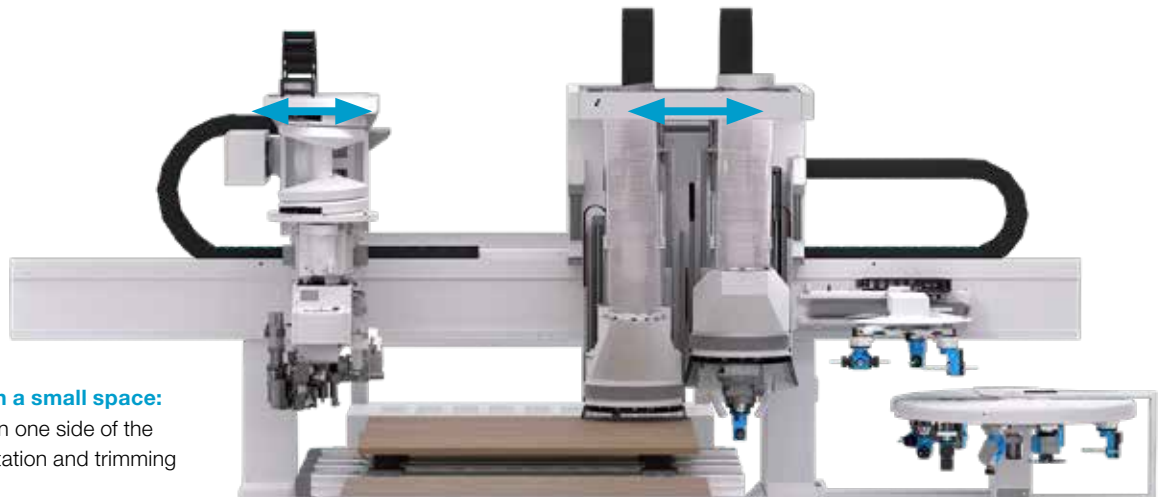
Eccentric sanding unit



Edge banding with **CENTATEQ E-510**: Optimum edge quality with the simplest operation

HOMAG processing centers with an edge banding unit are true all-rounders. Many work steps from formatting, profiling and drilling to edge banding can be combined on one machine.





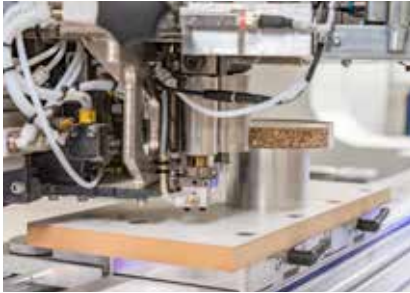
High performance in a small space:
Independent Y axes on one side of the gantry for the gluing station and trimming spindle/drilling gear.

- 1** External preparation of the edges with exchangeable roll plates
- 2** Quick and convenient insertion and changing of edge materials due to the construction of the edge magazine on the front side of the machine
- 3** Easy refilling of hot-melt glue, simple inspection and service of the gluing station
- 4** Optimum view into the processing area through a large viewing window.
- 5** Optimal access to the processing units through a large access door



Perfection for corners and edges

This CENTATEQ E-510 is a true all-rounder. Formatting, profiling and drilling is supplemented with shaped edge banding, for perfect joints and edge finish.



powerEdge Pro Duo edge banding unit – one unit for all requirements. Zero joint technology and exact tracing ensure perfect results for 360° gluing.



Quick service function for fast and efficient maintenance and cleaning thanks to straightforward opening.



easyEdge edge banding unit is the universal solution for edging small quantities.



Additional application unit for quick changing of different glue types.



Sawing and snipping unit with saw blade in the center of the C axis. Snipping cuts during edge banding are therefore performed with high precision.



Combination unit for flush milling of the edge overhang, and for scraper post-processing to remove blade strokes and other unevenness on the edge profile.



Combination unit, snipping/corner rounding. For the traced cutting to length of edge overhangs and precise corner rounding of edges.



Flush trimming unit with separating agent reduces the glue residue on the workpiece and often makes the glue joint scraper unnecessary.



Trimming unit, horizontally traced for flush trimming of edge overhangs, e.g. on the postforming profile of a kitchen worktop.



1 Granulate container: The granulate container can be loosened with a bayonet lock and removed from the machine. This allows you to change the glue color quickly and easily. Alternatively, small quantities can also be filled directly into the application unit.

2 Application unit: The application unit can be changed quickly and easily to change the glue color or glue type.

3 Fine adjustment via scale: The glue quantity can be set easily and reproducibly via a scale.

4 Hot air unit: The intelligent control system of the hot air nozzle improves the contouring of the edge and ensures a constant temperature at the joining point, regardless of feed, whether you're using conventional hot-melt glue or pre-coated edges.

5 Press roller: The press roller presses the edge onto the workpiece with program-controlled exact force. In combination with a defined temperature, this ensures perfect workpieces with the simplest programming.

K-table

Flexible and fast

The classic, dual-circuit vacuum system. The vacuum clamps are infinitely positionable and offer a free space for the use of tools as well as for the falling offcuts. The K-table is the ideal solution when flexibility, secure clamping of very different parts and fast exchange of the clamping systems are required. The rapid, precise and especially easy positioning of the suction unit is enabled by the LED or laser positioning aid.



LED system

Arguably the fastest and safest positioning system for consoles and clamping elements.



LASER positioning aid

Vacuum suction units are displayed with a cross-hair laser beam. The workpiece contour can be "moved" as a positioning aid for free-formed workpieces.



Laser projection

Laser projection of the clamping equipment and the workpiece contour for optimal utilization and simple positioning of unprocessed parts that cannot be aligned on the stops.



Clamping unit

Clamping unit ensures secure and quick clamping of jambs and scantling.



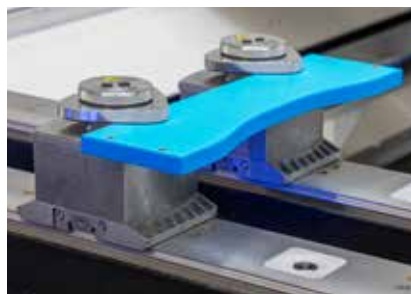
powerClamp

Manual clamping device for straight and curved parts. Ideal for all curved, narrow and frame parts.



3-stage clamp

Highly rigid 3-stage clamps with a large clamping height for precise complete processing of window and front door parts without subsequent rabbeting.



Multi-clamp

Multi-clamp for dual-circuit vacuum system. Vacuum-actuated clamping element for clamping strips and elements.



Matrix adapter plate

The matrix adapter plate also offers secure fixing for filigree workpieces. Shaped parts in the nesting process can also be "tailored" on a console table in an optimized way with the matrix adapter plate.

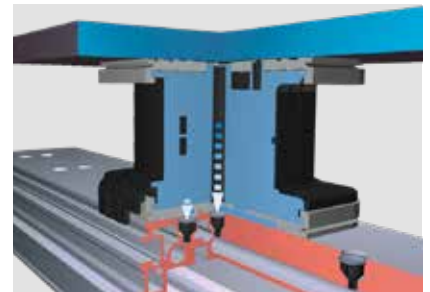
Accurate and safe with the console table

Thanks to the patented system of solenoid valves, vacuum suction units and other clamping equipment can be used in any number and in any location on the consoles. Application-optimized stops and insertion aids ensure precise placement and positioning of the components.



1 Stop pin

2 Stop pin for covering layer overhang



Dual-circuit vacuum system

Exclusive vacuum clamping technology with double sealing flange for infinitely variable movement of the clamps along the console. The first clamping circuit fixes the clamp on the console and prevents unintentional moving, the second then keeps the material stably in position.



Electronic end position detection
Increased safety thanks to electronic end position detection on all stop cylinders



Stop pin for covering layer overhang
with end position monitoring to protect tools, units and machine operating personnel.



Chip transport
For easy disposal of the offcuts and chips.



"PURE STOP" side stop

made of anodized aluminum is guided on linear guides. Precise and solid stop for positioning strips and rounded-off components.



Side stops

can be moved using the optional clamping lever.



Linear guide and insertion aids

Easy handling via consoles with highly precise linear guides and robust insertion aids with two pneumatic cylinders. Vacuum and compressed air connections for pneumatic clamps and clamping templates are integrated in the consoles.

A-table

Automatically in the right place

The A-table is the key to greater convenience and automation. Through the program-controlled positioning of the consoles and clamping equipment, batch size 1 operation is possible without manual intervention and workpieces can be moved apart after a separating cut.



Vacuum clamps with tracing valve
Unoccupied suction cups can remain on the platform. Mounting height 100 mm



Clamping unit

ensures secure and quick clamping of jambs and scantling.



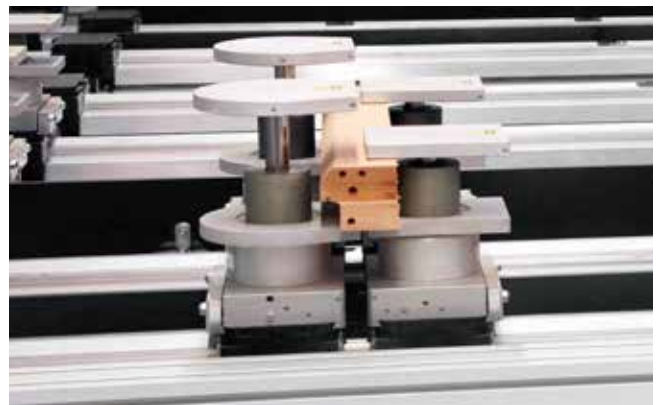
Aligning the clamping elements

The stop pins in the brackets guarantee an exact positioning of the clamping equipment for a high-precision single part production of window profiles without "rabbeting" the frames. In addition, the stop pins are used as an insertion aid for wide scantlings. This patented principle guarantees an exact crosswise profiling regardless of the part width.



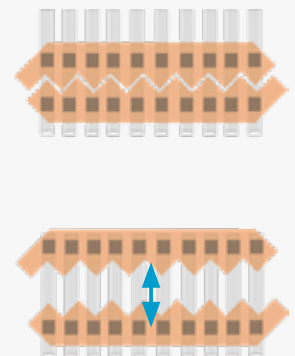
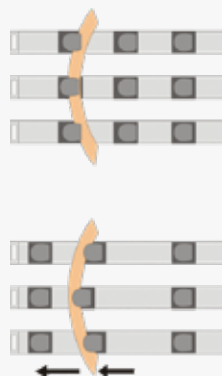
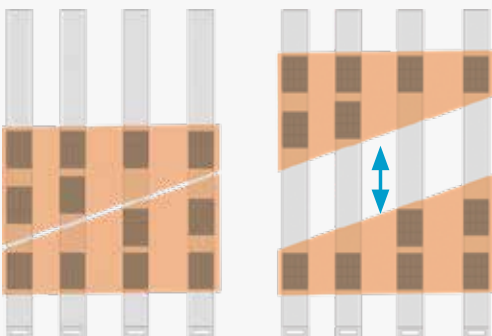
movePart

ensures automatic moving apart after separation in the program sequence for complete processing.



Integrated pneumatic transfer

The integrated pneumatic transfer into the clamping elements enables the clamping plates and workpiece surfaces to be blown off before reclamping. This patented function means that no chip residues are pressed into the workpiece surfaces.



In staircase construction, for example, steps can be moved after separating for complete processing.

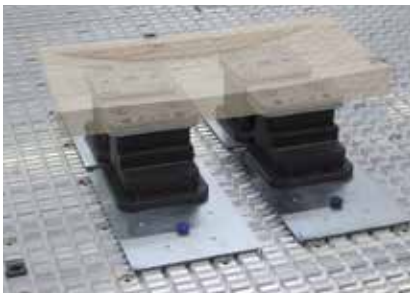


Grid table

Versatile use

The grooved aluminum grid table means that clamping equipment can be attached with positive locking and so workpieces are held securely – even with high hogging forces. The design of the vacuum transmission within the table optimizes the distribution of the vacuum, reduces leaks

and losses in vacuum transmission, and makes complex installations unnecessary. Thanks to various clamping equipment with variable clamping heights, the grid table can also be used with units.



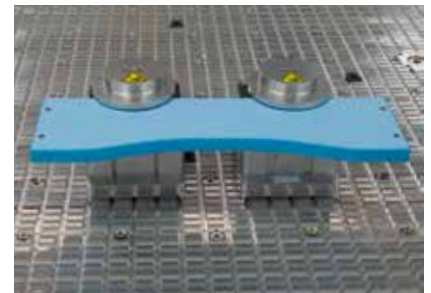
Maxi-Flex system

Freely configurable system base plate for vacuum clamping



Attachment of special clamping devices

The aluminum matrix table with dovetail guides ensures that clamping elements are fixed in place precisely with positive locking

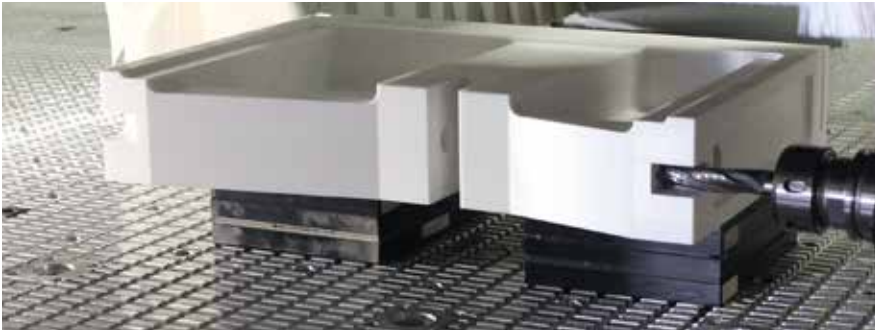


Multi-clamp

Vacuum-actuated clamping element for clamping strips and scantlings



Nesting processing of panel materials: waste-optimized division and processing in the surface



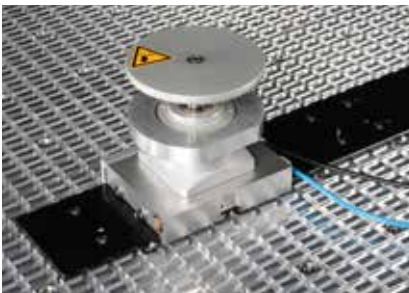
The wide range of vacuum suction units with different installation heights means that horizontal processing (e.g. for doors) can be carried out quickly and easily. It also means that, in some cases, clamping templates are not needed to process technical components and shaped parts.



Slot nuts
with thread for the positive locking of clamping devices in the dovetail guide

1" vacuum connections with quick opening

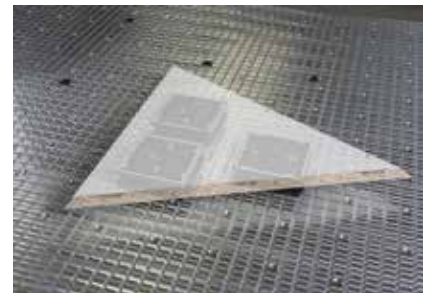
by means of a switch cabinet key, vacuum openings with fine thread for attaching clamping equipment



Rail for powerClamp clamping elements
Rail for attaching the powerClamp clamping elements from the K table range for the pneumatic clamping of squared timber, curved parts or panel stacks.



Vacuum suction unit for grid table
Vacuum clamping elements that can be inserted into the grooves of the grid table (including base plate). Available with a total height of 45 mm and 90 mm and with dimensions 140 mm/130 mm, 125 mm/75 mm, 120 mm/50 mm and 130 mm/30 mm.



Vacuum clamp
Vacuum clamping elements for insertion in the grooves of the grid table



Tailor-made clamping solutions

Our machining centers offer possibilities that go far beyond those detailed in the catalog. The tables and basic components form the basis for your tailor-made solution. A large number of standard clamping elements, clamping equipment tailored to your specific requirements or your own devices are possible, including components in XXXL format, which can be 10 meters in length or 3 meters in depth.



Round window production

Automated complete processing of round windows without manual intervention in production thanks to an adapted processing sequence.



Frame trimming

Also suitable for traditional frame production: with swivel clamping elements, window casements can be easily inserted, aligned and held.



XXXL machine depth

Components up to a width of more than 3000 mm for panel processing for components.



Clamping device for trims

Vacuum clamping device for a pair of rabbet and decorative trims according to customer design. Mounted on a base plate module.



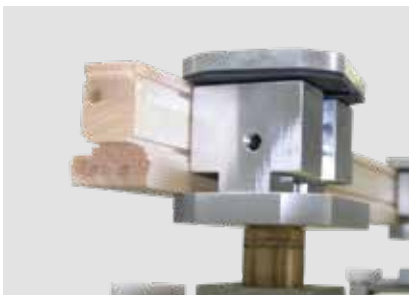
Clamping device for round pipes

Clamping device for five-axis processing of plastic round pipes.



Block clamp

Adapted block clamping device for round wood elements.



Slim sashes and large profile thicknesses

The HOMAG 3-stage clamping system can also securely and precisely clamp high profiles up to 120 mm (optional 150 mm) and slim sashes.



Clamping device for block frames

Exact clamping to the reference edge for a pair of block frames.

Automatically better: Made-to-measure production solutions

We use intelligent solutions to create manufacturing cells from CNC processing centers, with automatic material handling and specific additional tasks. You therefore make the best use of your machine and achieve the highest quantities. Our basis for this is innovative system technology and many years of experience in the construction of complex systems of all sizes worldwide.



TBA feeder attachment

Simple and space-saving entry-level solution for automation using the TBA feeder mounted on the side of the machine. Safe handling, precise positioning and integrated workpiece cleaning. Extremely simple operation and programming directly via the woodWOP processing program.



Gripper technology with system

Integrated sensor technology prevents errors caused by parts sticking together and ensures that they are picked up correctly.



Alignment against stops

Flexible suction grippers enable workpieces to be precisely positioned against the stops on the machine table.



Robot management systems

Unrestricted workpiece handling with a wide range of storage patterns, storage slots, alignment and turning. Additional functions such as labeling, position measurement and cleaning can be integrated.



Handling automation

Safe, material-friendly and economical



Alignment, validation and turning:

The free movement of the robot in up to 6 axes allows additional functions to be easily integrated into the process (e.g. turning function for two-sided processing).



Cell control and system visualization:

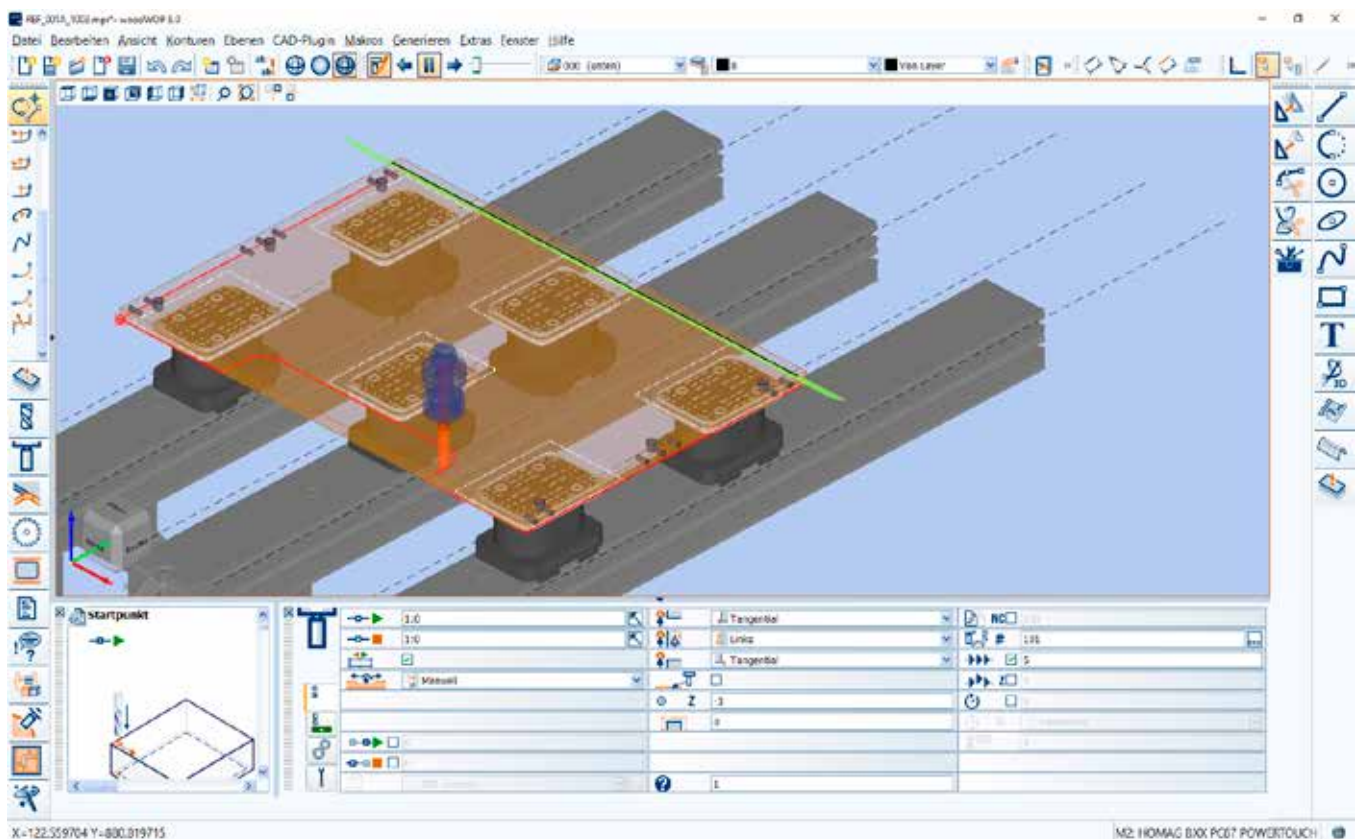
For safe and efficient operation of the cell, especially in batch size 1 production, HOMAG offers a simple and intuitive interface for visualizing and controlling the entire cell.

HOMAG software solutions

The basis for simple and efficient operation

Our processing centers are one thing – the software to operate them conveniently and easily day-to-day is another. HOMAG software and control modules ensure maximum flexibility and operational safety. A matter of fact with

HOMAG: interfaces to external programming and design systems, auxiliary programs for nesting, and modules for machine monitoring and performance tracking.

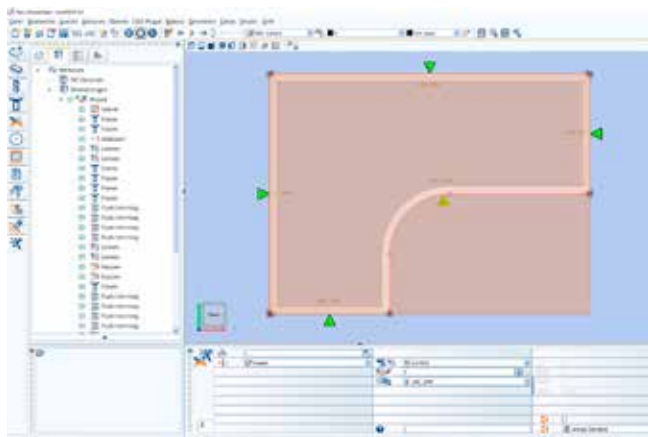


woodWOP – efficient thanks to fast programming

- Fast and intuitive operation thanks to simple, direct navigation
- A wide choice of variables for flexible variant programming
- Quickly create individual subprograms
- Increased programming reliability through 3D graphics of workpieces, processing and clamping equipment
- Very easy to use thanks to infinitely adjustable windows, multi-screen capability, language-neutral input screens, help images, etc.
- The largest forum on CNC programming on the Internet: forum.homag.com

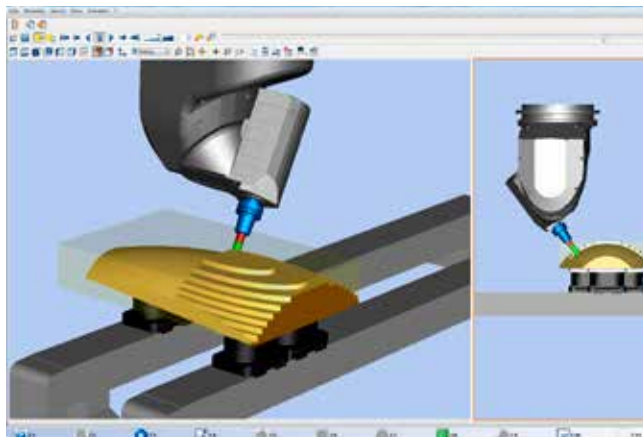


More information
is available on our website in the
"HOMAG Group software" brochure



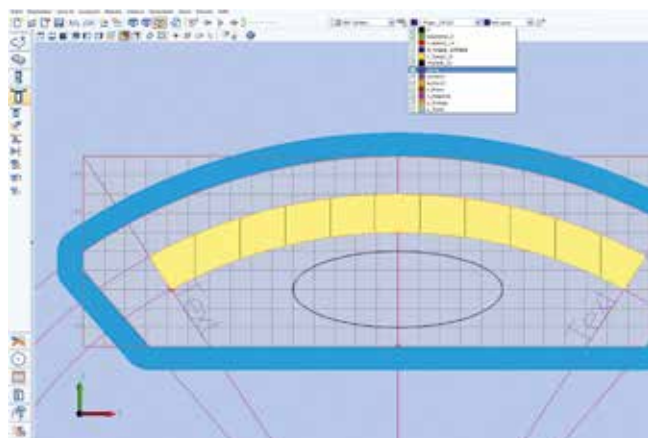
woodWOP wizard – automatic for perfect edge

- Automatic generation of the entire processing sequence for the edging
- Creation of all processing steps such as pre-milling, joint trimming, edging, cutting, flush trimming and scraper
- Considers workpiece geometry, edge overhangs and edge type
- Time savings of over 90% compared to conventional programming



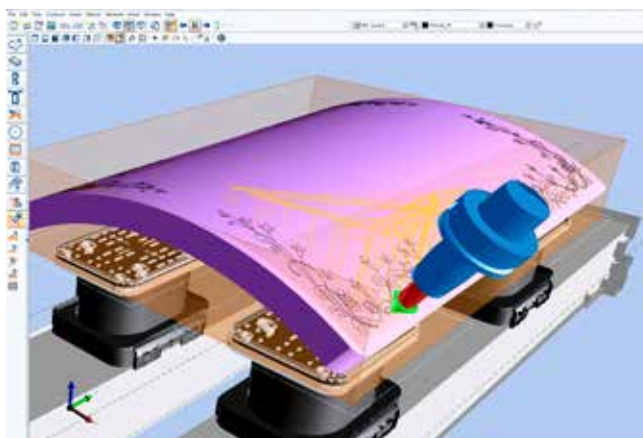
woodMotion – processing simulation of programs

- Graphic simulation of the CNC program on the workstation PC
- Optimal program preparation as running-in periods on the machine are reduced
- Simulation of 5-axis processing including material removal
- Display of the actual processing times and collision monitoring between tool and clamping elements



woodWOP CAD plugin

- CAD functions integrated directly into woodWOP
- Creation of your own CAD drawings on the machine and the work preparation station
- Import of CAD objects in the formats DXF, IGS, STP, STL



woodWOP CAM plugin

- CAD/CAM functions directly integrated into woodWOP
- Rapid construction of 3D surfaces in the CAD plugin or by importing 3D models
- Automatic generation of the milling paths for roughing down, finishing and formatting 3D objects
- Safe working, because the milling paths and the overrun movements are displayed graphically and simulated in woodWOP

Apps and digital assistants.

Quick and easy support in your machine environment.

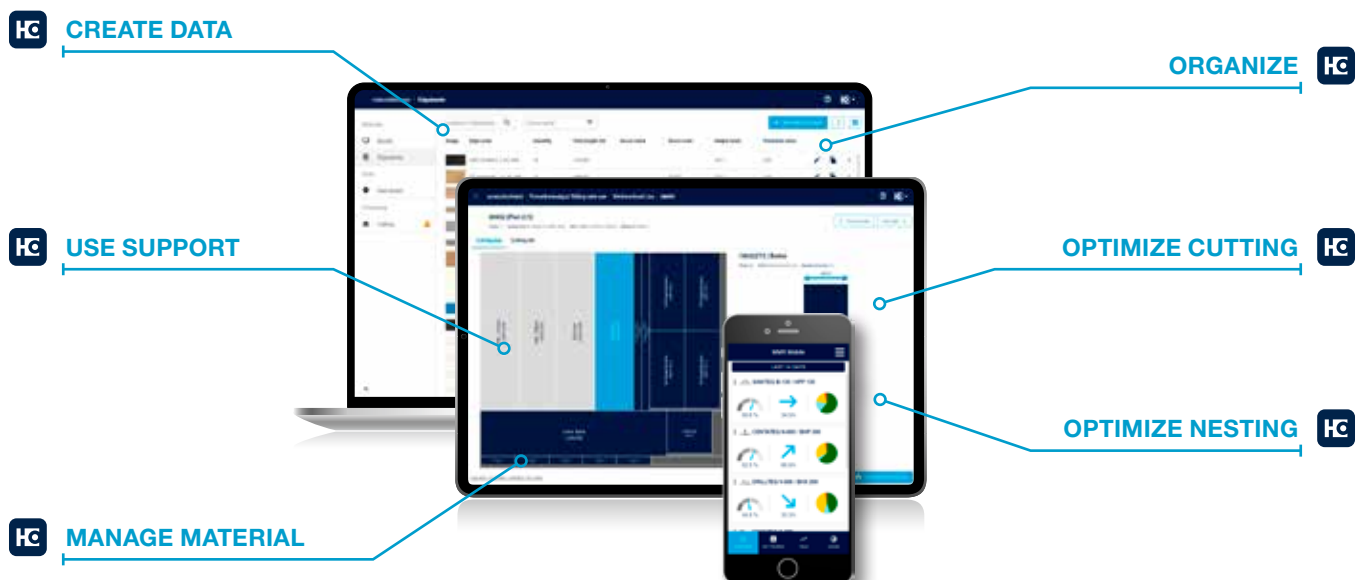
Some people still use pen and paper to create their cutting patterns. But they look at their smartphone if they want to know what the weather is like – instead of looking out of the window. We asked ourselves: why not combine the best of both? Our apps and digital solutions make your everyday work easier: machines, material, tools, cutting patterns, components – you always have everything in your pocket or on your desk.

EXCERPTS FROM YOUR FEEDBACK:

- Are there simple solutions that can eliminate various obstacles in my day-to-day work (e.g. when organizing materials or sorting parts)?
- Is there a way to slowly approach using digital assistants?
- Which tools can you try out simply and easily without having to invest huge sums of money straight away?

OUR ANSWER? SMART AND POWERFUL SOLUTIONS::

- ✓ Always low investment
- ✓ Always up to date (no updates necessary)
- ✓ Always easy to use (no complex software)
- ✓ Always helpful





THE ADVANTAGES AT A GLANCE

- No investment, update or maintenance costs
Low starting price, no unplanned financial expense
- Licenses are independent of the user
Any number of employees can use the application without incurring additional costs
- Independent of hardware and operating system
Can be used anywhere, anytime
- Open system – import possible from almost all systems (ERP, industry software, CAD/CAM, Excel, CSV)
No obligation to use specific software systems
- Simple, smart operation
Minimal training required
- More efficient production
Jobs completed more quickly, more safely and in higher quality



More information at digital.homag.com

VALYOU

Our Mission, Your Performance.

LIFE CYCLE SERVICES

Improved performance, more efficient processes, faster help, assurance of availability and smarter working

TEAM & COVERAGE

Largest global service network in the industry with over 1,350 personnel.

INSTALLATION & COMMISSIONING

For a smooth start, we only let proven experts manage your setup.

OPERATION & CONTROL

After teaching your personnel the intuitive control system, our clever apps help to make the operator's life much easier.

MAINTENANCE & SERVICING

To keep things running, we're happy to take a preventative approach. You decide how often and how intensively you want the support to be. As we all know, prevention is better than the cure.

eSHOP & ONLINE ADVANTAGE

A few clicks and it's fixed. Receive exclusive advantages by ordering spare parts online, depending on market availability. shop.homag.com

HOTLINE & READINESS

When there's an emergency, we're here. Direct by phone, digitally via app or video, or with on-site support. We are close to you with over 90 regional service organizations worldwide. With more than 35,000 spare parts immediately available, we can deliver 85% of your orders fast.

TRAINING & EDUCATION

With classroom, live online or eLearning training, we offer flexible options to help you get knowledge. We conduct over 4,000 customer training courses every year, and we even have our own training centers in 19 countries

MODERNIZATION & IMPROVEMENT

Our modernization program is tailored to your machines and processes. We can evaluate your data and situation and advise you on the next step.

ANALYSIS & SUSTAINABILITY

On request, we analyze all your processes with proven tools and procedures (LeanSixSigma). We have a large, certified team of experts for this purpose.

FINANCING & CONSULTING

We offer you tailor-made financing concepts worldwide. With more than 60 years of experience and a close partner network of prominent banks and insurance companies to help us to find the right solution for you, we're always transparent and reliable in processing.

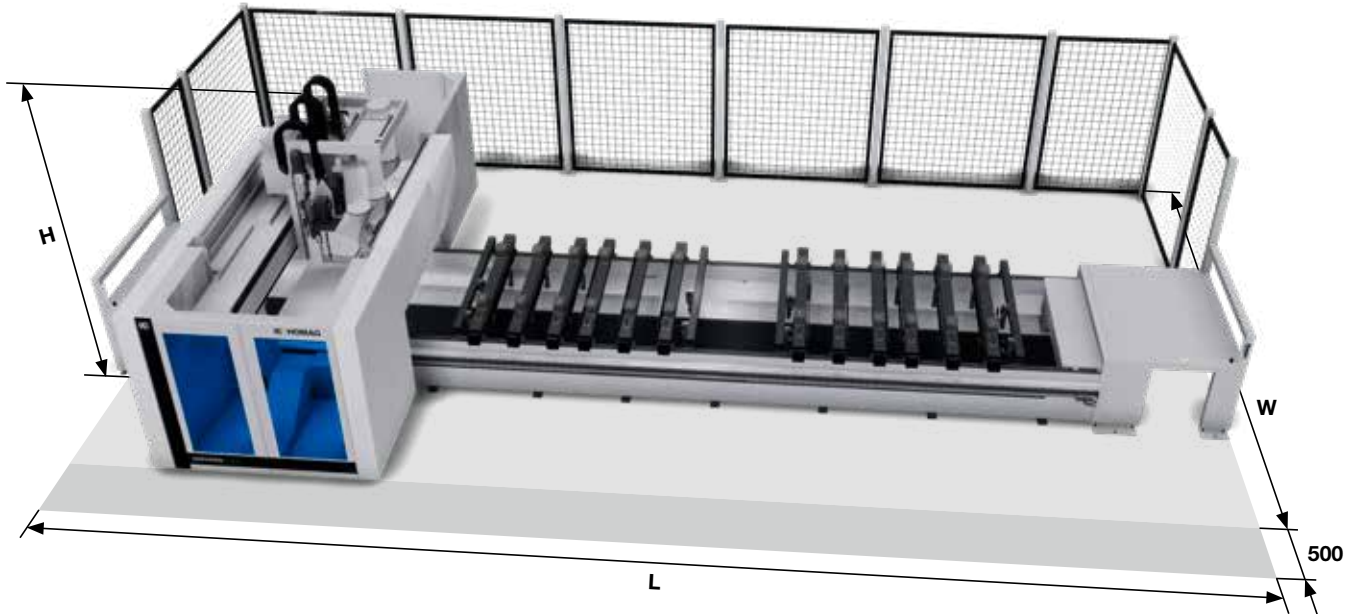


Fast support:
94% resolution rate
via our hotline

Close to you:
1,350 service experts worldwide

We get things moving:
Over 1,000 worldwide spare parts
shipments each day

No one else has that:
Electronic documentation on over
150,000 machines, available in 28
languages



WORKING DIMENSIONS

Y = workpiece width [mm/inch]	CENTATEQ P/E-510 610			CENTATEQ E-510	
	A = 0° with tool diameter 25 mm	A = 90° with tool length 230 mm/ with all units	A = 90°/with all units	Edge gluing and post-processing	
	Rear stop	Rear stop	Front stop	Rear stop	Front stop
/15	1550/61.0	1325/52.2	1325/52.2	1550/61.0	1325/52.2
/19	1900/74.8	1675/66.0	1675/66.0	1900/74.8	1675/66.0
/22	2250/88.6	2025/79.7	2025/79.7	2250/88.6	2025/79.7
/32	3250/128.0	3025/119.1	3025/119.1	-	-

X = workpiece length [mm/inch]	A = 90° with tool length 140 mm/with all units	
	Individual processing	Shuttle machining*
/33	3300/129.9	1025/40.4
/40	4000/157.5	1375/54.1
/60	6000/236.2	2375/93.5
/74	7400/291.3	3075/121.1

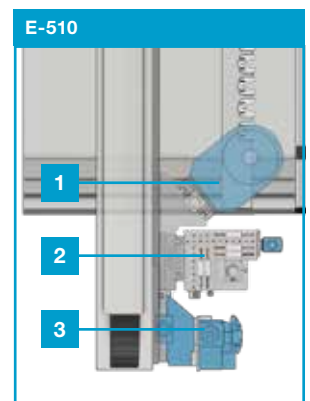
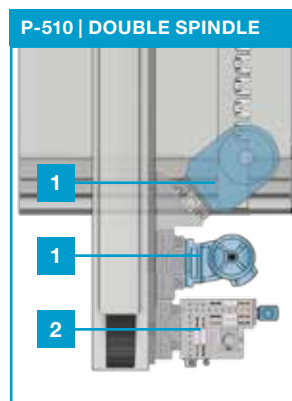
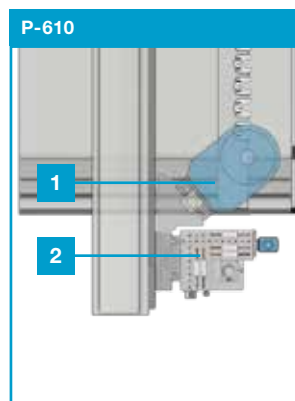
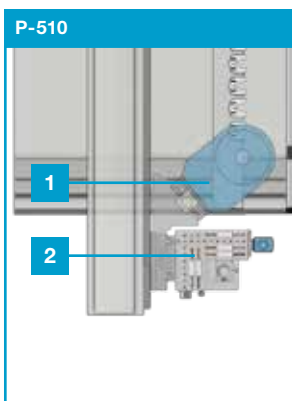
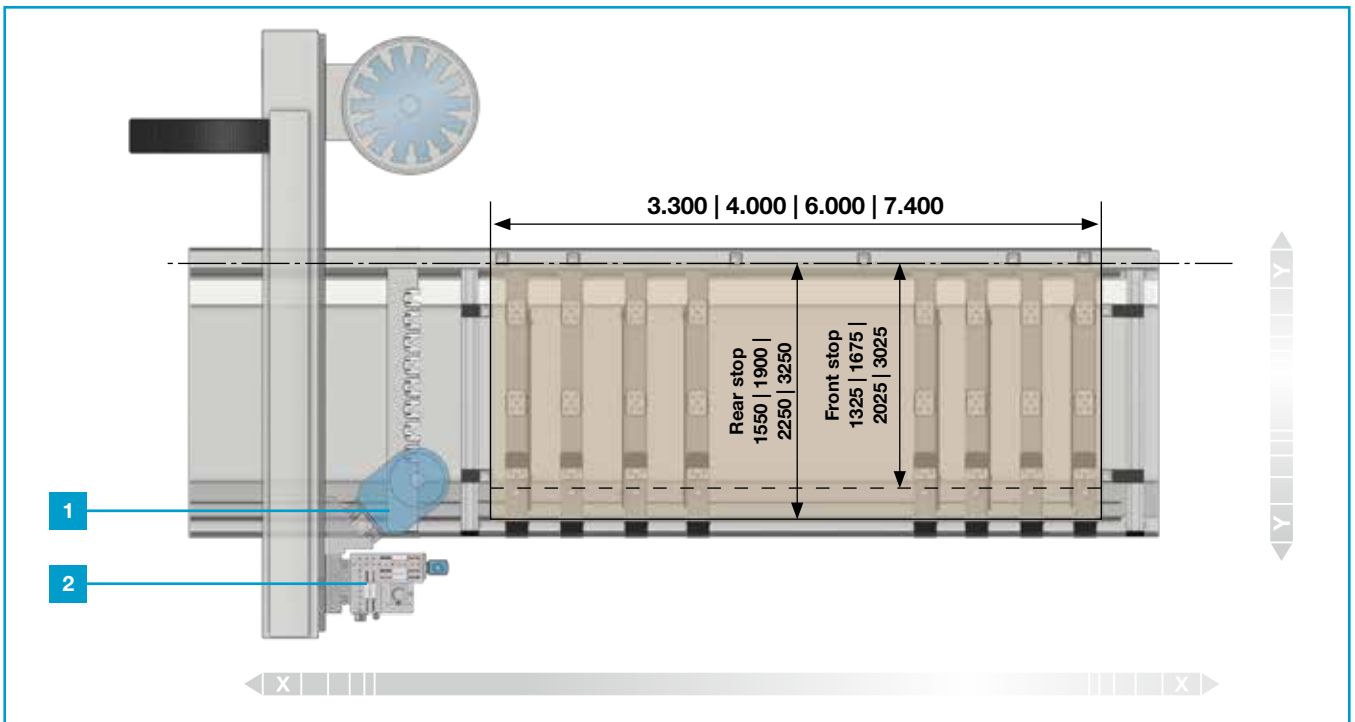
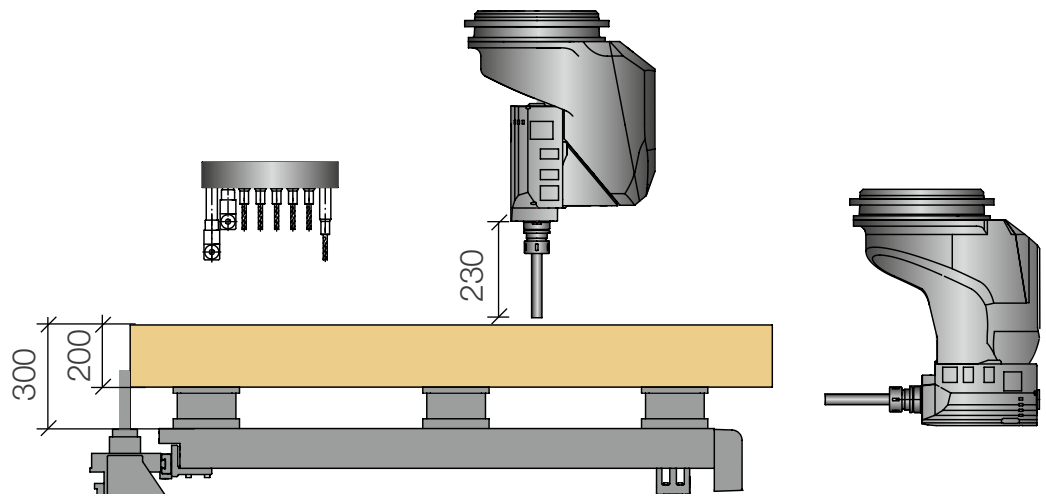
Z = workpiece thickness [mm/inch]	From console	with clamping equipment height = 100 mm
510	300/11.8	200/7.9
610	500/19.7	400/15.7

INSTALLATION DIMENSIONS

Installation length [mm/inch]			Installation depth [mm/inch] with 32-slot tool changer					Installation height [mm/inch]	
L			W					H	
	510	610		P-510	P-510 double spindle	P-610	E-510		
/33	7390/290.9	7390/290.9	/15	5690/224.0	6090/239.8	5690/224.0	6390/251.6	P/E-510	2916/114.8
/40	8090/318.5	8090/318.5	/19	6040/237.8	6440/253.5	6040/237.8	6740/265.4	P-610	3430/135.0
/60	10090/397.2	10090/397.2	/22	6390/251.6	6790/267.3	6390/251.6	7090/279.1		
/74	11490/452.4	11490/452.4	/32	7390/290.9	-	-	8090/318.5		

* Dimension with central division.

Technical data and photographs are not binding in every detail. We reserve the right to make changes in the course of further development.



- 1 Trimming spindle
- 2 Drilling gear
- 3 Edge banding unit

As at 05/23 | Subject to technical change, print errors and mistakes. Images may show special features.



HOMAG Group AG

info@homag.com
www.homag.com

YOUR SOLUTION