

# EDGETEQ D-610 profiLine

**Series production 24/7. Individual.**  
Our double-sided edge banding machines









# Is maximum quality important to you? Then you are in the right place at HOMAG!

These days, good is no longer good enough. You are only one step ahead of the competition if you supply top-quality furniture. After all, you can see from a piece of furniture how it was made and what it was made from. The edging and joint design must be right — and they will be when you produce furniture with machines and systems from HOMAG. Using high-performance HOMAG machines — equipped to meet your requirements — makes you very efficient. Thanks to high availability and first-class quality, your customers will always receive convincing products.

## YOUR SOLUTION

[MORE AT HOMAG.COM](https://www.homag.com)



EDGETEQ  
D-610 profiLine

## CONTENTS

- 04 Highlights
- 08 Series manufacturing
- 10 Unit toolbox
- 26 powerTouch2 | Software | tapio | Control system
- 32 Feeding and stacking systems
- 34 Rotary transfers
- 36 Technical data
- 38 Life Cycle Services

# EDGETEQ D-610 profiLine | The standard for edge banding

The EDGETEQ D-610 profiLine has a wealth of expertise behind it that has already proven its worth in our high-performance machines. The EDGETEQ D-610 profiLine can be used for almost any edge material. This makes you more powerful and more flexible. And this series is also distinguished by the proverbial HOMAG quality and reliability.

Double-sided machines and machine lines are classically used for the production of medium to large series. These machines are characterized by maximum performance with minimal changeovers. You can choose between an EDGETEQ D-610 profiLine, which processes pre-formatted workpieces with a raw fixed dimension or which also formats components.



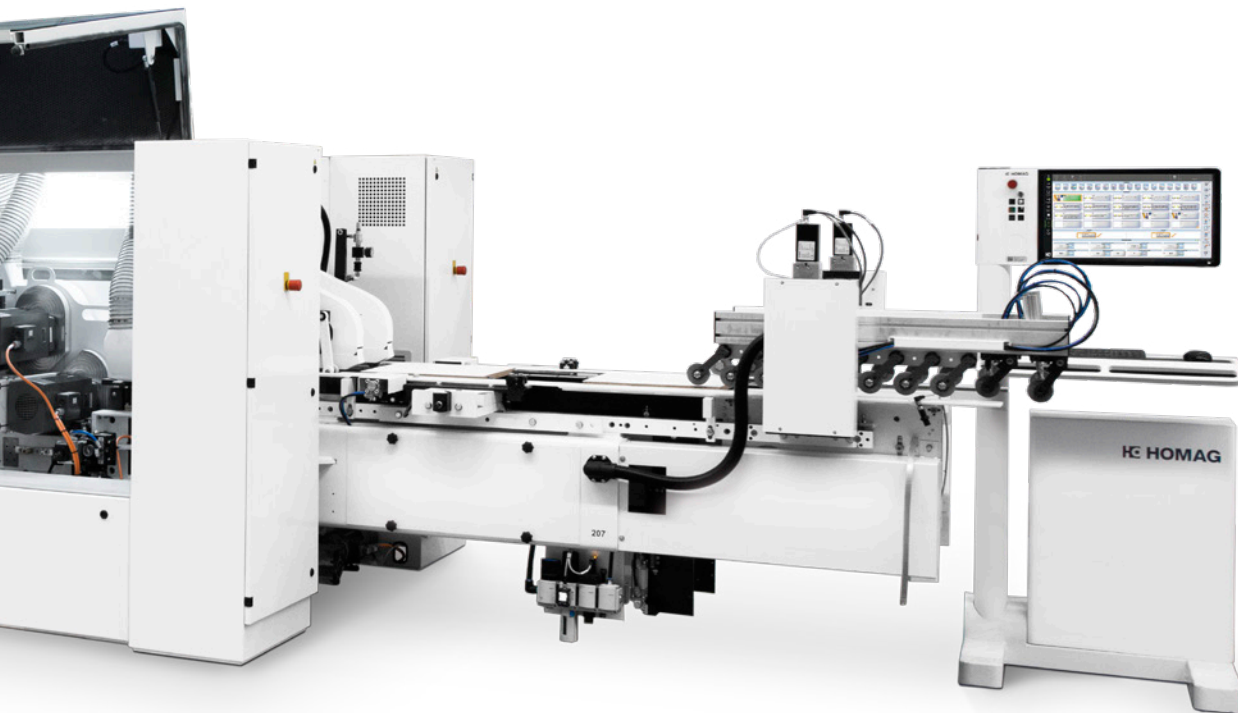
## The secret of precise edges:

The EDGETEQ D-610 profiLine edge banding machines are flexible, robust and characterized by high availability. They do everything: formatting, profiling, edging, processing, rabbeting and grooving of a wide range of workpieces. This includes chipboard, MDF, lumber-core panels, solid wood and plastics. Just as flexible: edge banding. EVA and PUR adhesives are used to apply melamine, PVC, ABS or veneer edges as roll or strip material.



## ADVANTAGES OF THE BASIC MACHINE

- Individual equipment with different units
- Modular design for high flexibility
- High production quality combined with a long service life
- Vibration-free operation thanks to the closed frame design
- Optimum trimming patterns
- Very smooth running and high workpiece quality thanks to transport chain with large ball bearing diameter



## The HOMAG EDGETEQ D-610 profiLine series — As variable as your tasks

**WHEN IT COMES TO PROCESSING YOUR WORKPIECES, NOTHING IS MORE CONVINCING THAN FLEXIBILITY.** This is why the machines in the HOMAG EDGETEQ D-610 profiLine series are optimally tailored to the respective width of your workpieces. Select variable

maximum working widths from 1000 mm to 3500 mm. You can reduce the minimum working width in the first machine of a longitudinal line to 195 mm. If you process wide workpieces, we recommend the automatic center support.



### Longitudinal processing

Precise guidance: the workpieces to be processed are inserted along the infeed fence. They can then be cut exactly to size.



### Cross processing

The infinitely adjustable cams of the transport chain form the stop for the workpieces. Even soft-forming or profiled parts can thus be transported safely through the machine without any damage. Depending on the workpiece length, the cams can be extended to different distances between the workpieces.



## Economical production and perfectly processed workpieces

**THE BASIS FOR THE LONG SERVICE LIFE AND HIGH AVAILABILITY OF THE EDGETEQ D-610 PROFILINE SERIES IS FORMED BY:** the robust design,

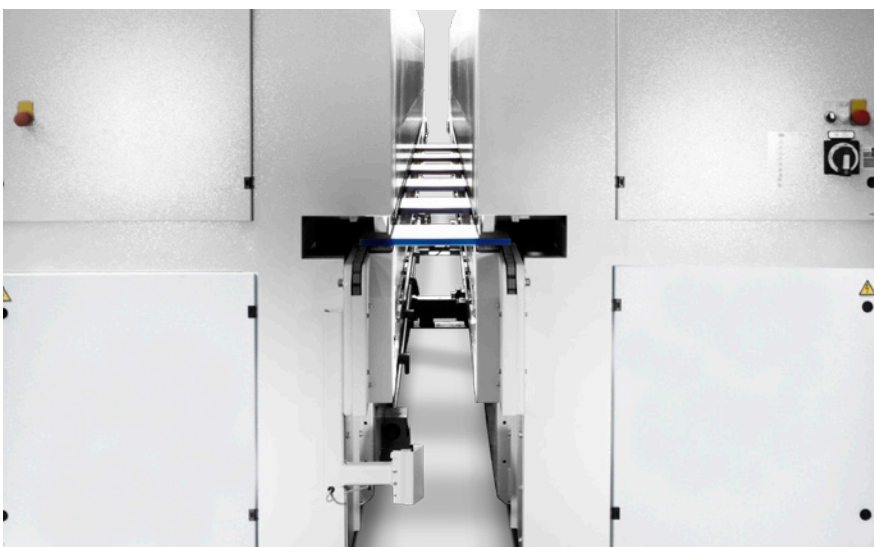
optimized chip removal and optimal care. The rolling block link chain transports all workpieces precisely and processes them with maximum precision.



### Rolling block link chain

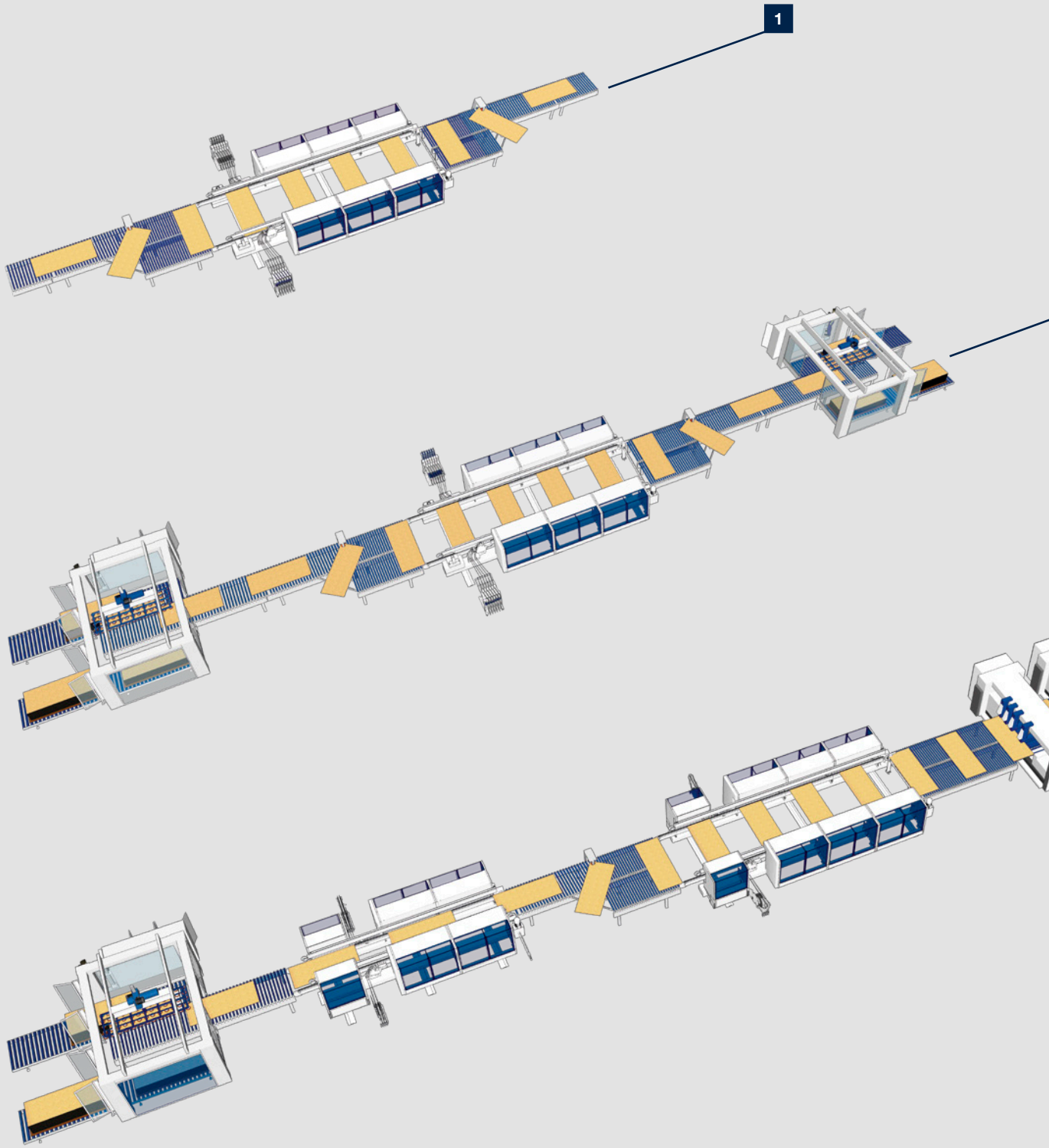
All machines in the EDGETEQ D-610 profiLine series are equipped with a rolling block link chain. This advanced technology ensures that all workpieces are transported precisely and processed with maximum dimensional and repetitive accuracy. Experience shows that the block link chain from HOMAG exhibits significantly less wear than the block link chain with a semi-circular rod.

**The proof:** top performance of more than 200 m feed, even in dusty, abrasive environments.

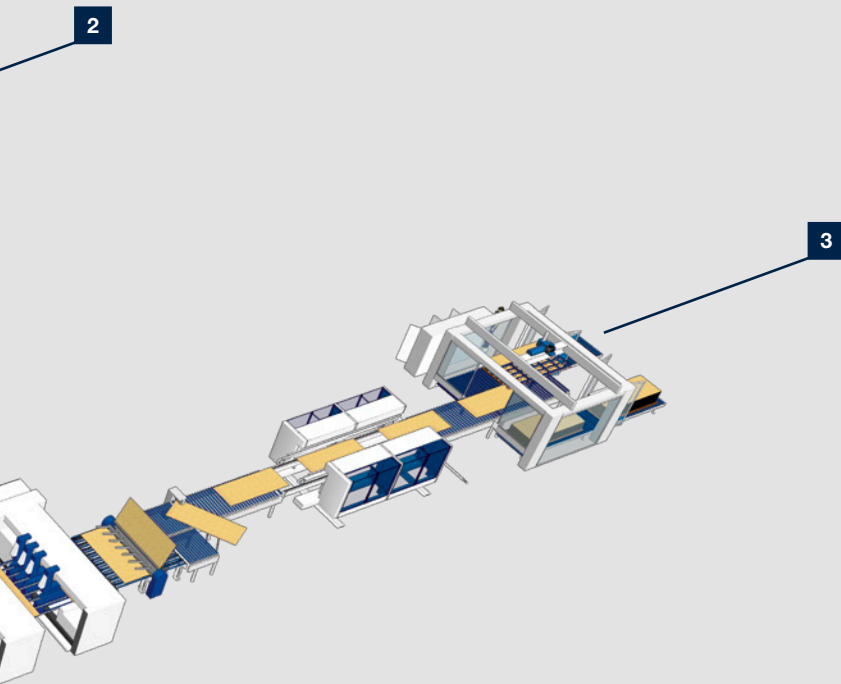


### Electronic shaft (option)

With the electronic shaft, the load on the conveyor chains can be adjusted more easily and they can therefore be operated with even less wear.







## EDGETEQ D-610 profiLine

### 1 Solo machine

### 2 Short line — for medium-sized capacities

In this example, the workpieces are processed in two process steps longitudinally and crosswise. The stacks are transported back. Feeding and destacking systems as well as turning stations for longitudinal to transverse format or transverse to longitudinal format enable an automatic production sequence.

### 3 Production lines — what your plants of tomorrow can look like

For longitudinal and cross processing of workpieces in one throughfeed for medium to large series. Including feeding and destacking systems, throughfeed drilling machines and a separating saw.

## Efficiency through series production

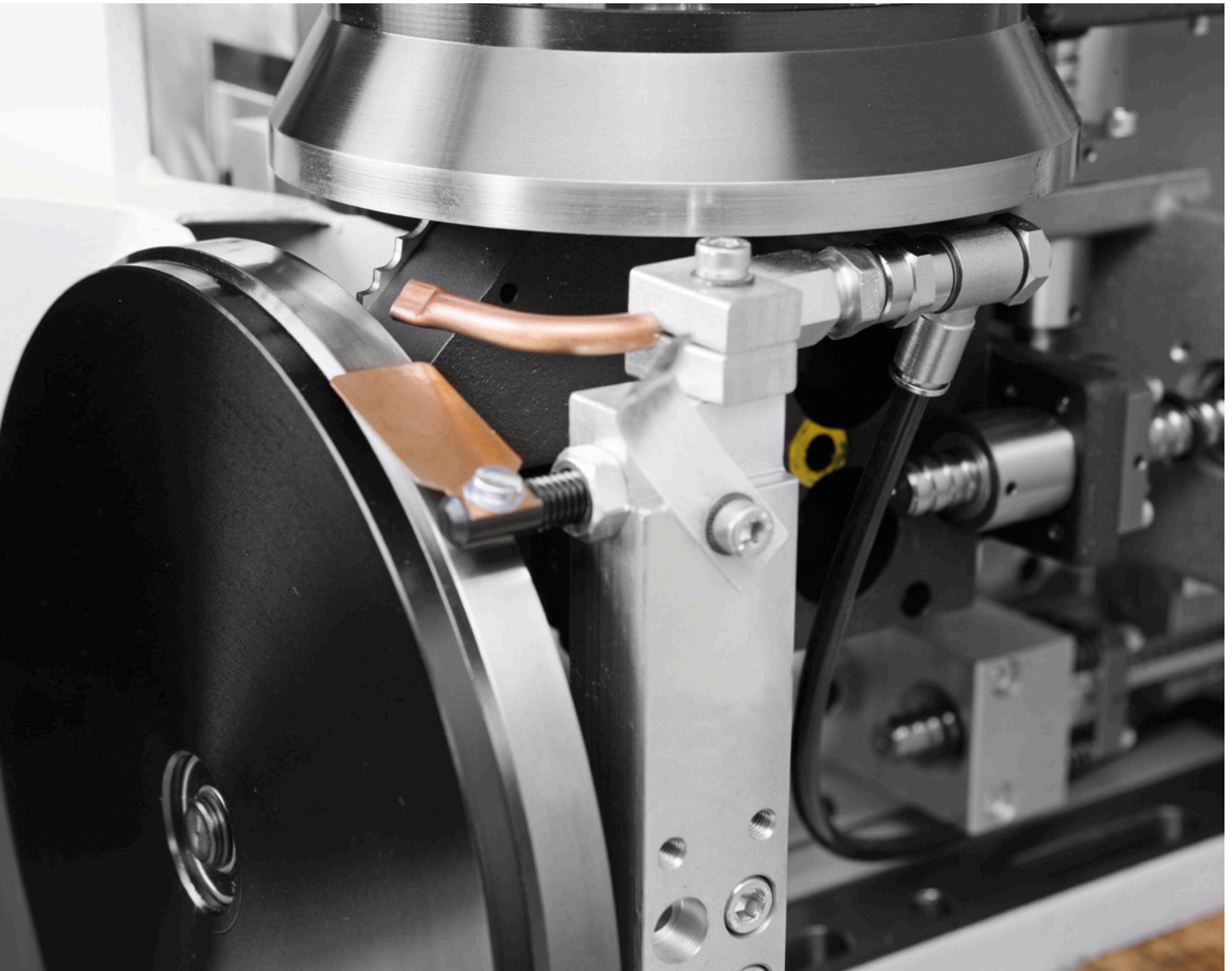
With the reliable production technology of the powerful EDGETEQ D-610 profiLine, you can achieve more efficient panel furniture production. We provide the right solution for your requirements. At HOMAG, production lines are designed,

installed and commissioned by your personal team specifically for you. After all, the interlinking of individual processing machines and material flow systems is a complex task.

## Our unit toolbox — always up-to-date

A wide range of units is required if you have a wide range of processing tasks. Units from our tried-and-tested unit toolbox are available for this purpose. We are constantly expanding our functions so we can offer you the right solution for new trends. Take a look at our units, e.g. in the areas of

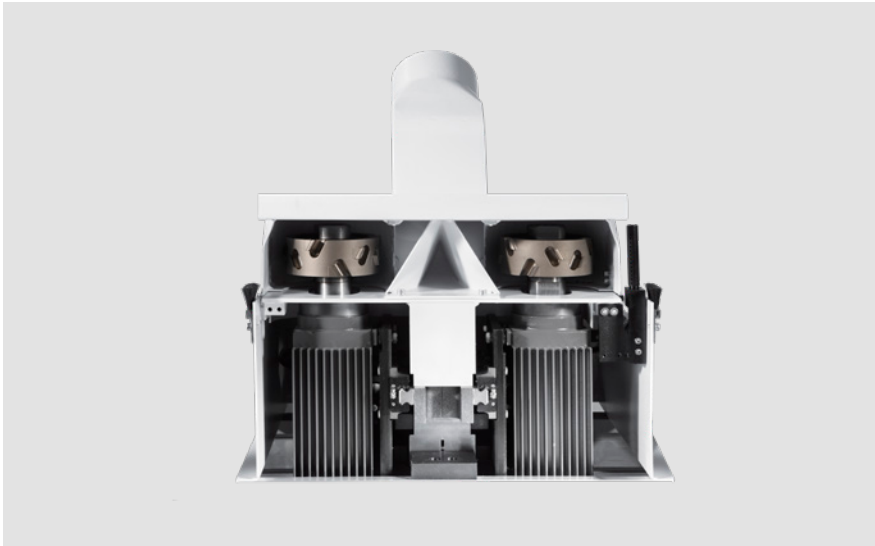
dimensioning, gluing, zero joint technology, snipping, profile trimming, grooving and finishing. You benefit from a high level of precision and state-of-the-art technology, and the ability to produce your products flexibly and efficiently.





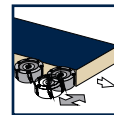
# Dimensioning units| Your requirement, our solution

HOMAG chippers are experts when it comes to dimensioning. Whether it's lumber-core panels, covering layer overhang or cross veneer — HOMAG systems are happy to take over what you leave to them.



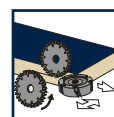
### Joint trimming

This unit enables highly precise processing, is extremely robust and suitable for an above-average length of service life. The tool diameter is 125 mm (optionally 150 mm).



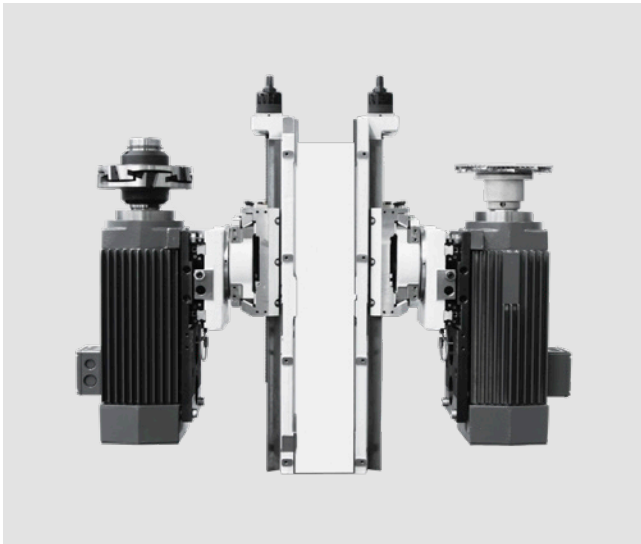
### Compact KD11 double chipper

With powerful 6.6–11 kW motors, larger processing allowances can be machined safely and without tearing. The KD11 unit formats in longitudinal and transverse mode with three motors. The tool diameter is up to 251 mm.



# Trimming units | Grooving, rabbeting and profiling — at the highest level

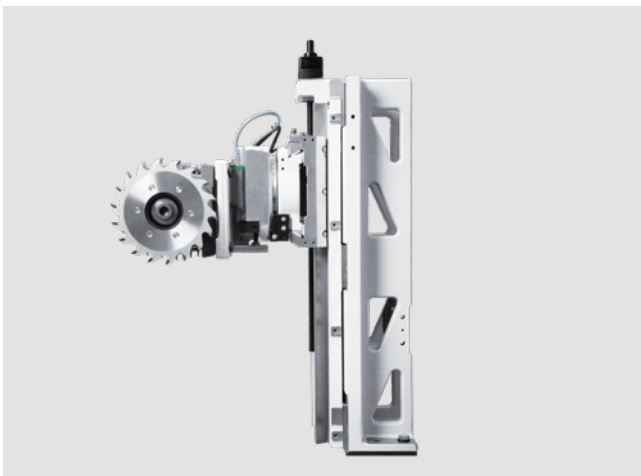
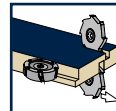
**THE PERFORMANCE SPEAKS FOR ITSELF:** With HOMAG trimming units, you can rabbet, groove and profile — with tracing if desired. The unit equipment and automation are executed according to your wishes.



### SF20 standard trimming unit

This trimming unit allows you to groove and rabbet at the highest level. Depending on the requirements, it is possible to fit one trimming unit in front of and two trimming units after the gluing station.

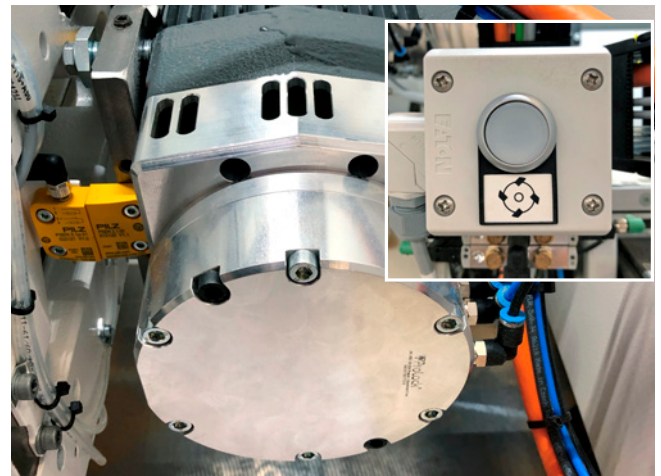
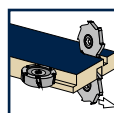
- Can be automated
- Fast horizontal adjustment, vertical adjustment via servo axis



### SF21 grooving unit

For grooving, rabbeting and profiling.

- Automation
- Infinitely variable horizontal and vertical adjustment via axes

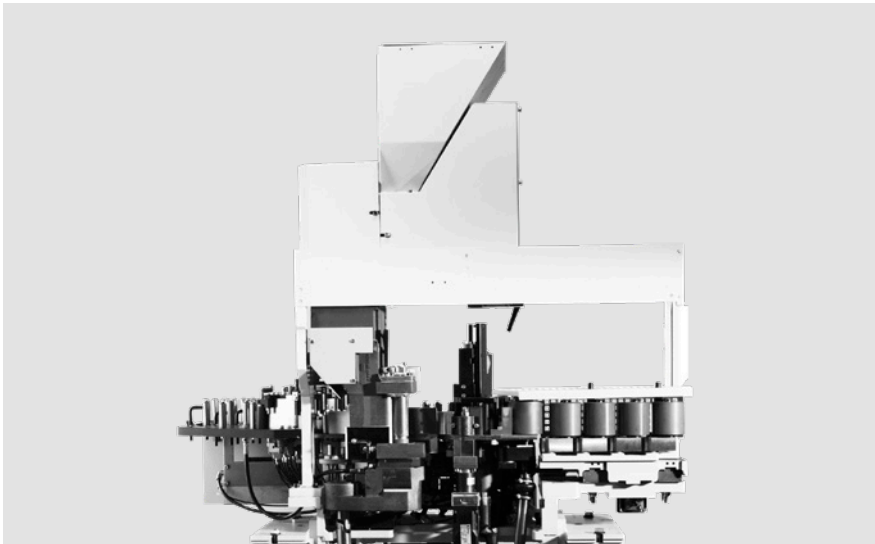




# Gluing units | Safe hot-melt glue application

## HOMAG GLUING UNITS ARE IDEAL FOR QUICK, SOLID GLUING.

A pre-melting unit is standard. The heated gluing roller ensures an optimal gluing temperature and the magazine height adjustment enables different edge heights to be processed. A simple, tool-free quick change of application unit enables you to run a different glue color in the blink of an eye.

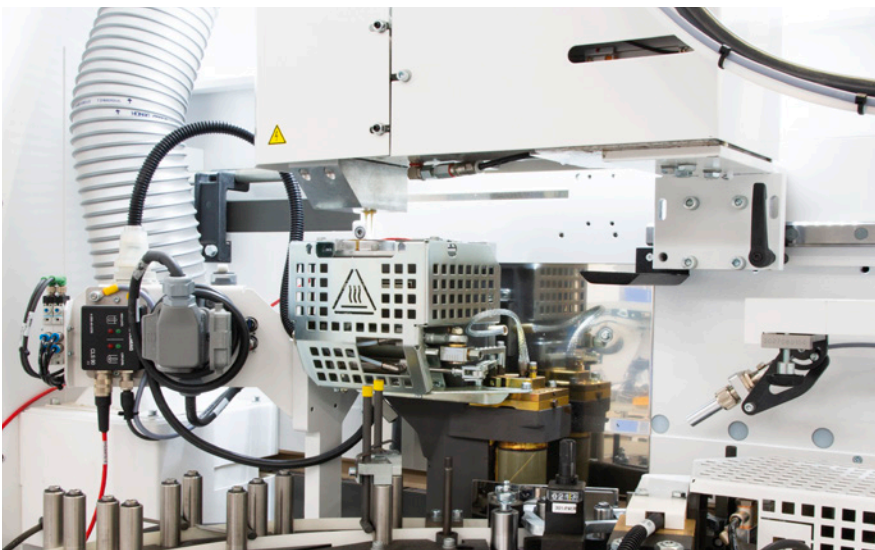


### Hot-melt gluing unit

For optimal glue application on narrow surfaces. The glue application roller does not need to be changed for different workpiece thicknesses.

### Quick-release system for application unit

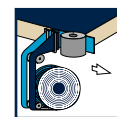
For a quick change of hot-melt glue colors. This prevents the different hot-melt glue colors from mixing together.



### Melting unit with granulate container

There is always enough hot-melt glue available thanks to the melting unit with a capacity of 18–35 kg/h.

**Optional:** Even quantities up to 45 kg/h are not a problem.



# PUR glue and HOMAG | A strong connection



# Gluing with PUR — if moisture and heat resistance are important

In order to optimally satisfy special requirements with regard to moisture and heat resistance, polyurethane (PUR) adhesive can be processed on the EDGETEQ D-610 profilLine series. A tried-and-tested adhesive application system is available for this purpose.

PUR reacts with the moisture from the environment during processing. PUR hardens to a thermoset when it cools down. This results in a very high bonding strength between the panel and the edge.



## PU65 application unit

With non-stick coating



## PUR melting unit

- Floor unit
- Melting capacity 6 kg/h (see illustration), 10 kg/h or 20 kg/h
- Temperature regulation to protect against overheating



## XES 200 service station

- Preheating and cleaning station for the QA65 and PU65 application units with one service position
- High flexibility thanks to two vacuum containers for one application unit each
- No vacuum pump and no nitrogen necessary
- With optional accessories also for application units for the powerEdge Pro/Pro Duo CNC edge banding unit



## Vacuum container

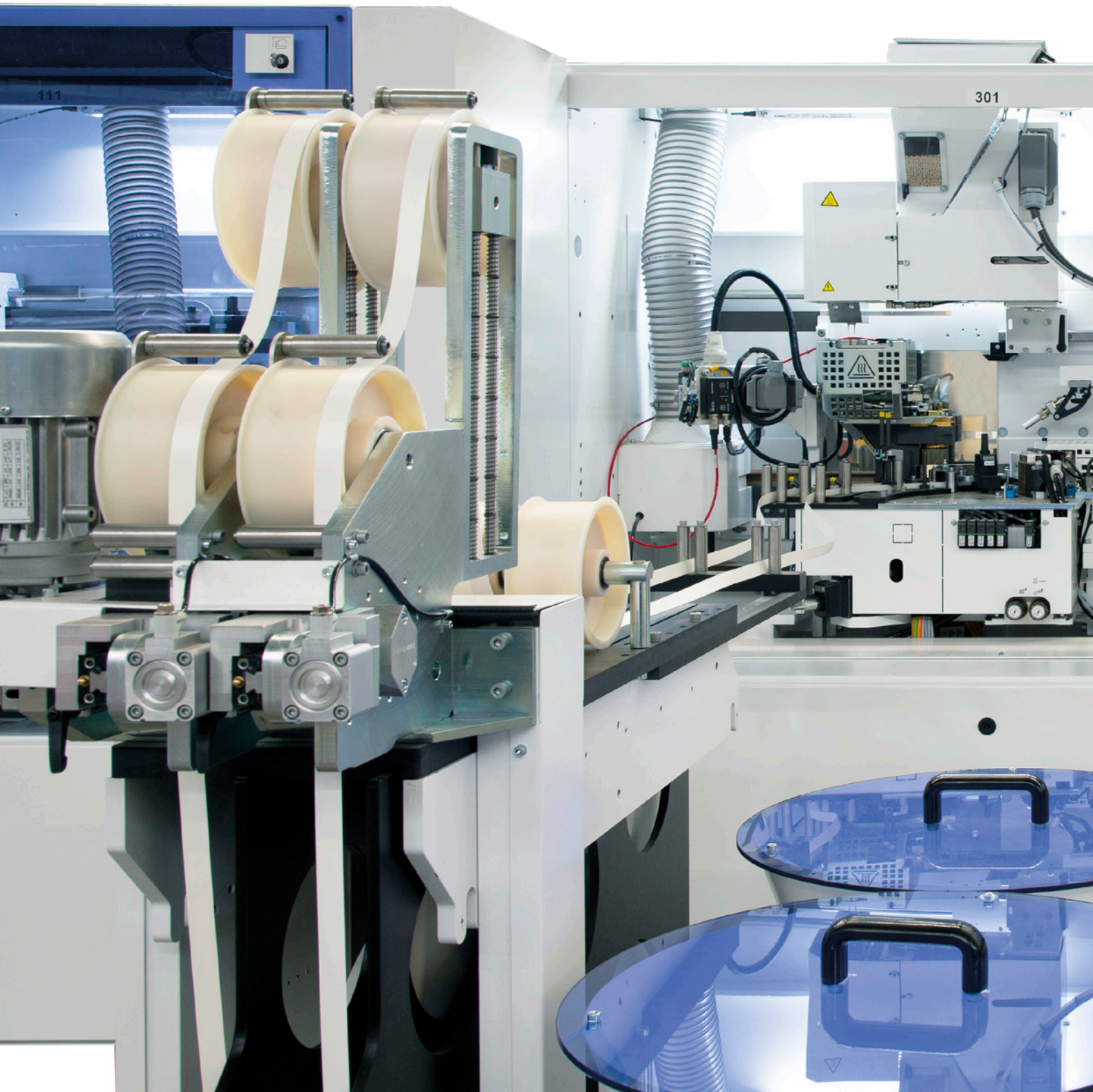
- Pressure tank for storing an application unit
- No vacuum pump and no nitrogen necessary

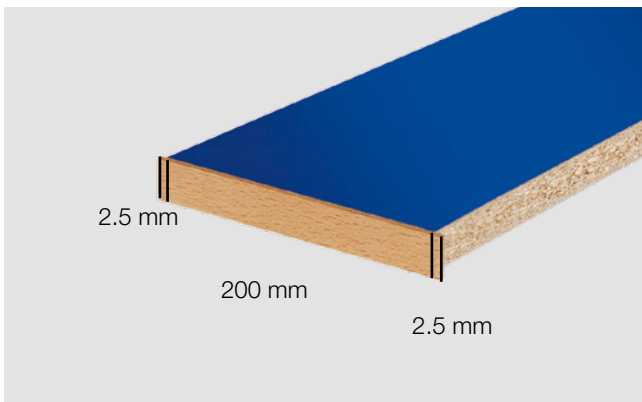
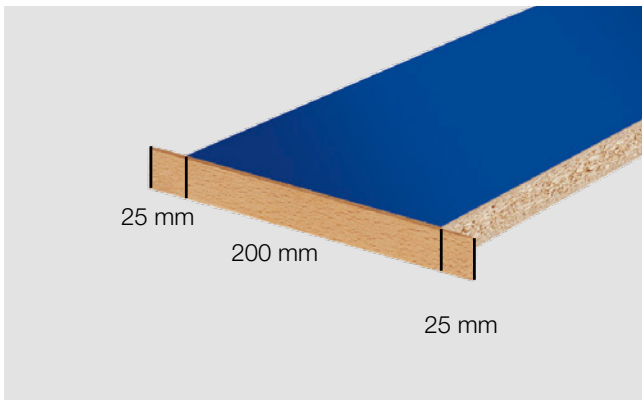
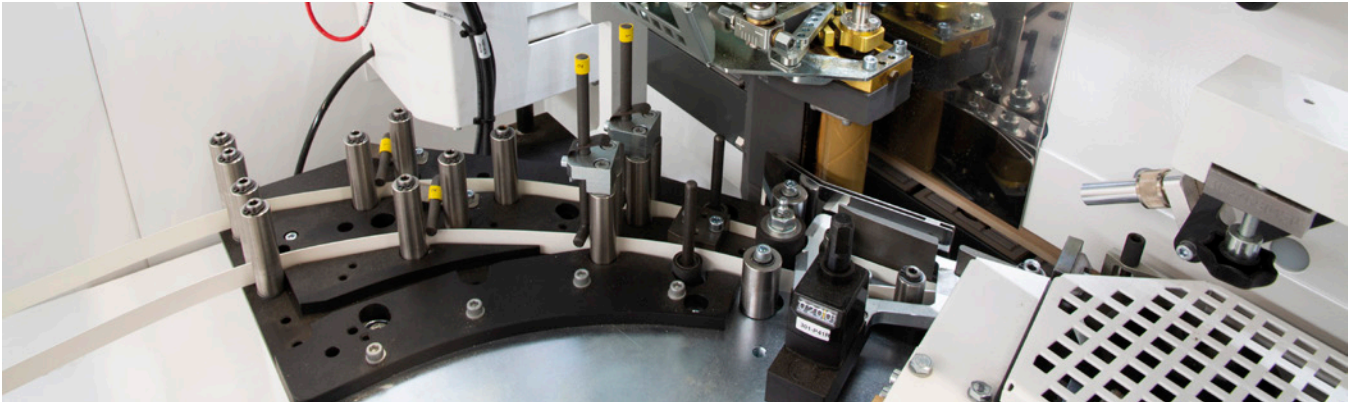


## Edge feed: Versatile and accurate

**SERVO EDGE FEED NOT ONLY SOUNDS SLEEK, IT ALSO REDUCES EDGE WASTE AND THEREFORE YOUR UNIT COSTS.** We have patented the precision-fit edge feed with the smallest possible overhang to the workpiece

corner — after all, HOMAG invented it. HOMAG offers a wide range of products, ranging from double magazines to 12-slot changers.





Top: Conventional gluing technology  
 Bottom: Optimized gluing technology with servo edge feed

**Less waste, less cost**

The servo edge feed enables the edge to be fed precisely to the workpiece corner with a small overhang. It enables an accuracy of +/- 2–3 mm at the front and rear edges.



**Multiple edge magazine**

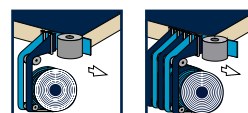
The pallet ranges from double magazines to 12-slot changers, capable of processing edges of 0.3–3 mm.

**Powered roller carriage**

Prevents edge breakage at high feed rates.

**Length management of edge rolls (option)**

Reduces idle time due to missing edge material by displaying and managing the remaining residual length.

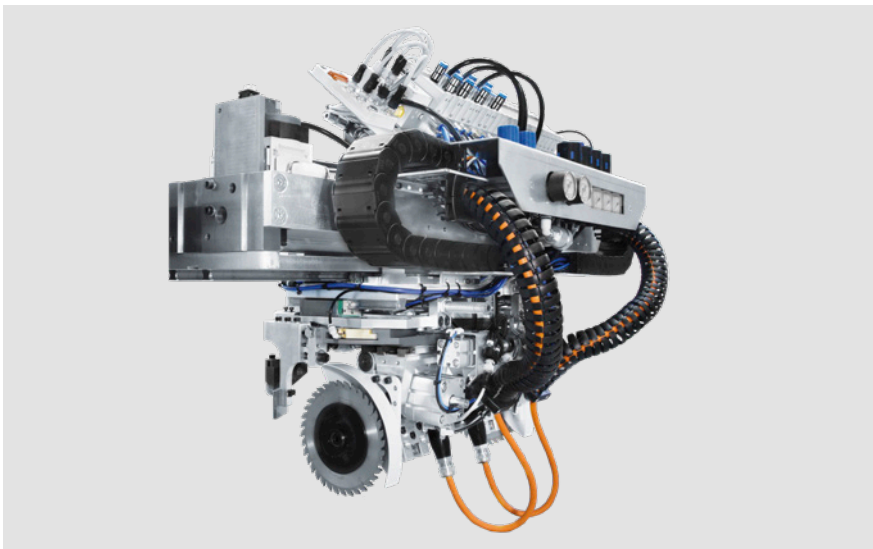




# Snipping units | The perfect preparation for trimming

**HOMAG SNIPPING UNITS PERFECTLY PREPARE THE WORKPIECES FOR SUBSEQUENT TRIMMING.** The front side can be snipped straight or with a chamfer. If a profile trimming unit is used, we leave a piece of edge in place and thus prepare the optimal trimming result. PK25/PK30

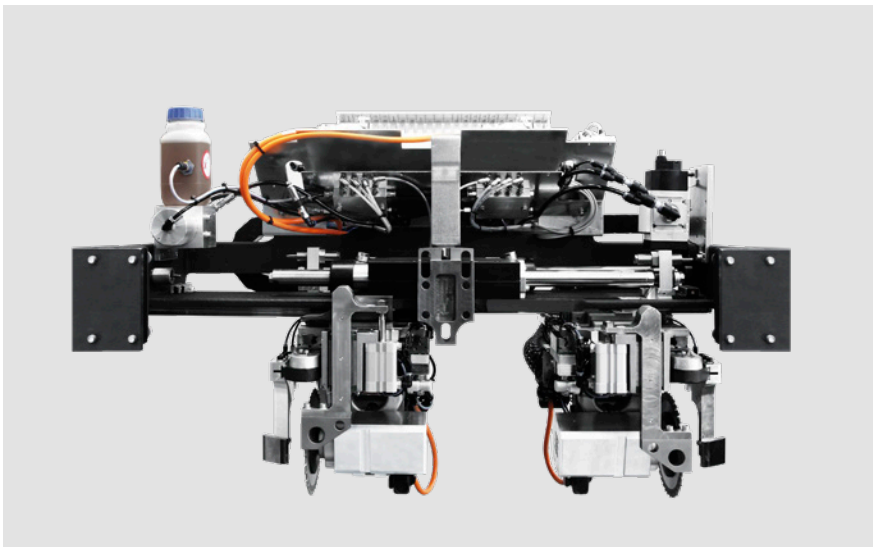
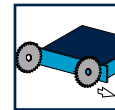
and SK30/SK35 snipping units are used for snipping edge overhangs on the front and rear edge of the workpiece with a stationary snipping stop so that even delicate workpieces are not damaged.



## PK25 and PK30 snipping units

The drive is pneumatic.

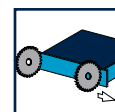
For machines with  
a feed speed of up to  
25 m/min = PK25  
30 m/min = PK30



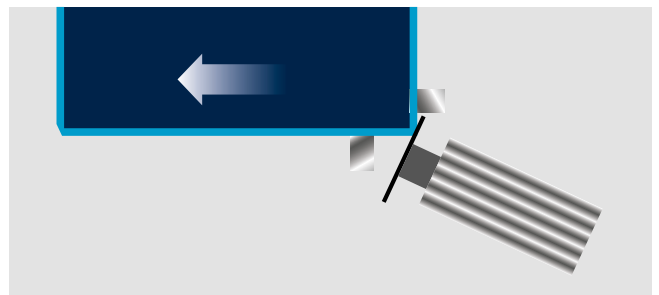
## SK30 and SK35 snipping units

The drive is via servo motors.

For machines with  
a feed speed of up to  
30 m/min = SK30  
35 m/min = SK35







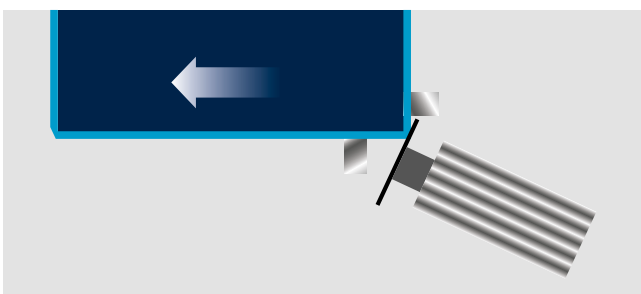
**Automation in the standard version**

Programmable adjustment of the snipping motor for chamfers/straight lines, for a quick change between straight-line snipping and cutting with a chamfer.



**Automation in the standard version**

For a quick change between flush snipping, e.g. of solid strips or shelves, and cutting with an overhang, e.g. for post-trimming with a profile trimming unit.



**Automation as an option**

For a quick change of different edge thicknesses during chamfer snipping.

# Trimming units | The basis of your edge processing

**HOMAG TRIMMING UNITS BRING THE EDGES OF A WORKPIECE INTO THE DESIRED SHAPE.** You can expect practical solutions from our basic devices. The BF20

pre-trimming unit is ideal for pre-trimming the upper and lower edge overhang and the PF20 trimming unit is ideal for trimming chamfers or radii on the edges.

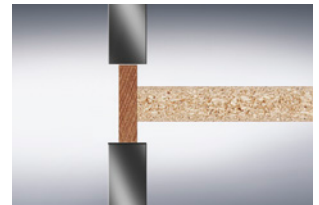
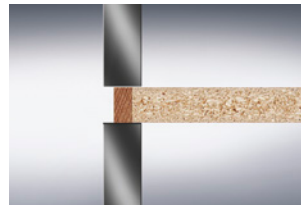


**BF20 pre-trimming unit**

For pre-trimming of the upper and lower edge overhang.

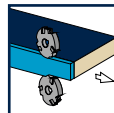
**Can be automated**

For an automatic change from flush trimming to trimming with edge overhang.



**Flush trimming (left) and trimming with edge overhang (right)**

For an automatic change from flush trimming to trimming with edge overhang.



**PF20 trimming unit**

For trimming chamfers or radii on the edges. Options: adjustment devices for the trimming motor, infinitely variable or pneumatic. Changing of the trimming motors using changing devices.



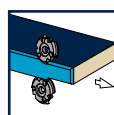
**MF21 multi-trimming unit**

For an automatic change between three different profiles, e.g. chamfer 20°, R1, R1.5 and R2.



**PF20/21 flexTrim trimming unit**

For an automatic change between two profiles, e.g. R2 and R3.



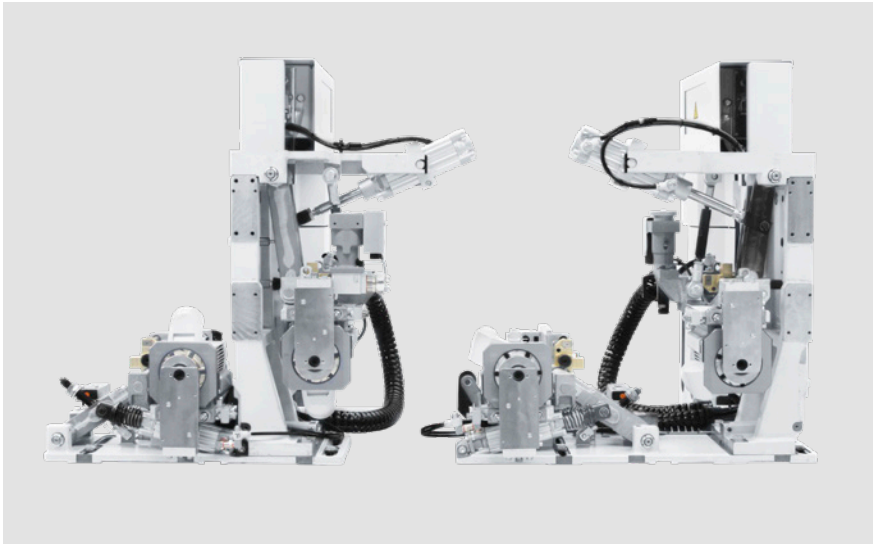




## Profile trimming units | Four-motor units — They can do anything

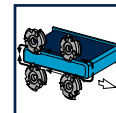
**ARE YOU LOOKING FOR A UNIT THAT YOU CAN USE TO TRIM THE TOP AND BOTTOM OF THE WORKPIECE, AS WELL AS THE FRONT AND REAR EDGES?** Then you have just found it. The four-motor HOMAG profile trimming

units ensure corner rounding even during veneer processing. The flexTrim changing device can be fitted on the FF32 profile trimming unit for a quick change between profiles in the workpiece gap.



### FF32 profile trimming unit

For rounding edges on the front and rear edge of the workpiece at the top and bottom. As the cut is spread over four motors, each corner can be processed in synchronous rotation. This reduces the risk of tears, even with veneer.

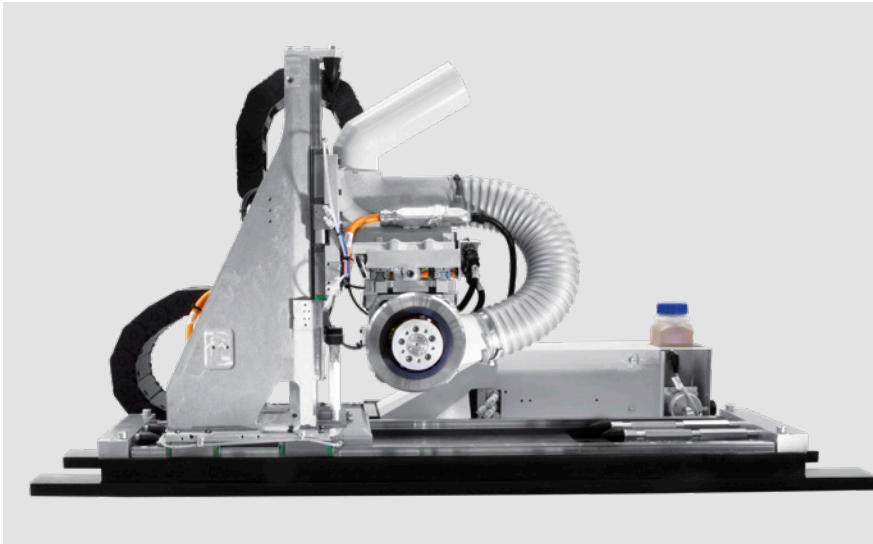


### flexTrim

The flexTrim changing devices can be mounted on trimming and profile trimming units. During series production, they enable a quick change between three profiles within the workpiece gap.

# Servo profile trimming units | Making you even more efficient

**DO YOU EXPECT MORE PERFORMANCE, A GREATER VARIETY OF CONTOURS AND EVEN HIGHER QUALITY?** Then we recommend our FK30 and FK31 powerTrim servo profile trimming units. The motion sequence is performed with linear motors. The high accelerations of the linear motors when rounding the edge enable the best-possible processing quality.



## FK30 and FK31 profile trimming units

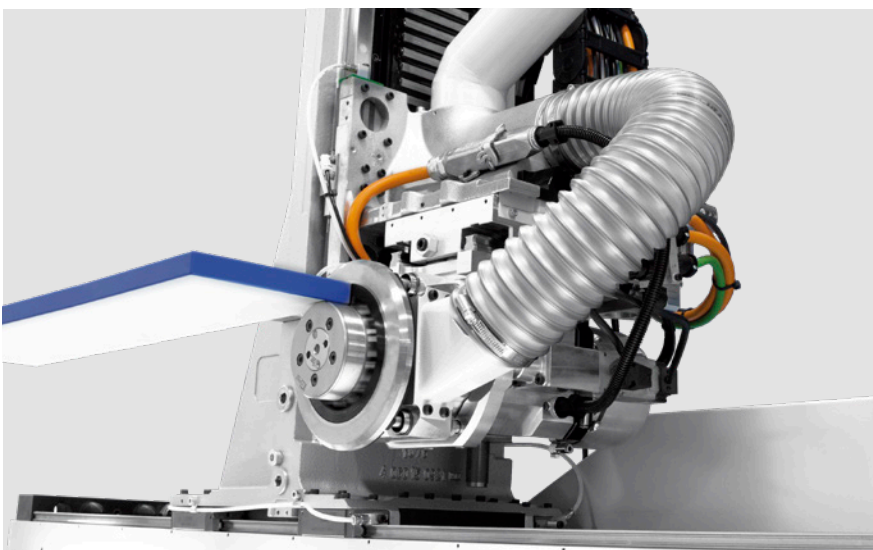
For trimming around the front and rear edges. With servo-motor tracing axis for delicate surfaces or soft profiles.

## Use of the FK30 and FK31 profile trimming units

For feed speed

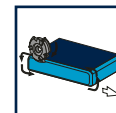
20 or 25 m/min = FK30

30 or 35 m/min = FK31



## Can be automated

- Adjustment to three different radii and chamfer
- Automatic adjustment of the detector roller diameter
- Automatic adjustment of the tracing force on the FK31
- Automatic adjustment of the speed



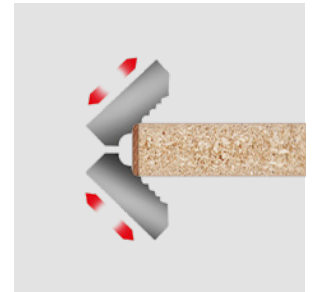
# Finish | All's well that ends well

**THE SAME APPLIES TO A MARATHON AND TO PRODUCTION: IF YOU KEEP GOING TO THE END, YOU WILL ACHIEVE THE GOAL.** Leave the finish to HOMAG so that you walk brilliantly into the stadium rather than stumbling over the finish line. There are various options available. Depending on your requirements, select the PN20 profile scraper, MN21 multi-scraper or FA21 finish processing.



### PN20 profile scraper

For smoothing trimmed edges for an optimal look.



### MN21 multi-scraper

For smoothing trimmed edges for an optimal look. You can switch between a maximum of seven different profiles.



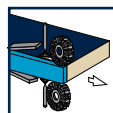
### FA21 finish processing

Consisting of a glue joint scraper for removing glue residue at the top and bottom on plastic edges, and a buffing unit.

### Optimal surface quality

By fine-tuning the glue joint scraper to  $\pm 0.01$  mm

- Manual (in the standard version)
- Automatic (optional)



# Belt sanding units | Finish belt sanding — Always in perfect shape

## WHETHER IT'S STRAIGHT EDGES, CHAMFERS OR RADII FOR VENEERS:

leave them to the HOMAG belt sanding units — the KS10 belt sanding unit, the PS20 belt sanding unit or the PS41/PS42 chamfer/radius sanding units.

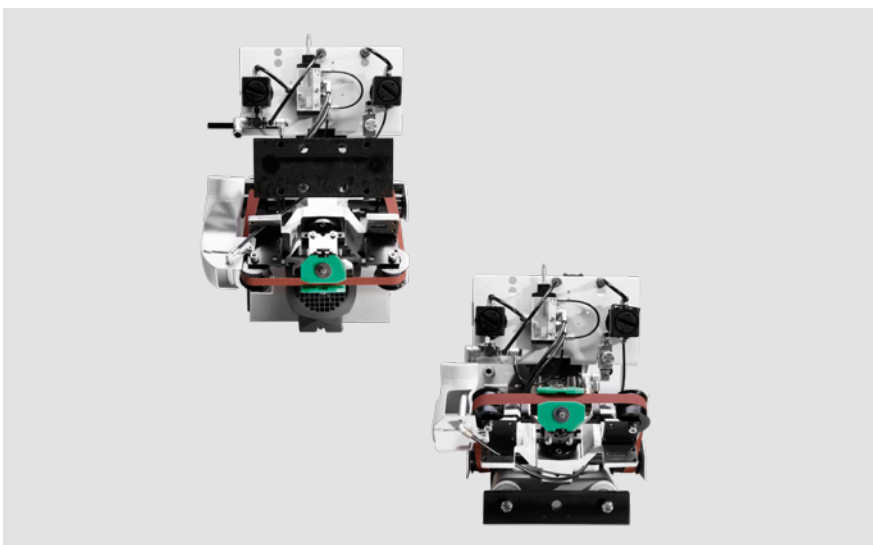
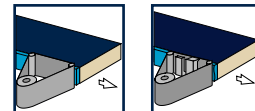


### KS10 belt sanding unit

For sanding straight veneer edges, including oscillation in the standard version.

### PS20 belt sanding unit

For profile sanding in two-pad technology with two separately adjustable sanding pads (optional).

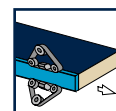


### PS41 and PS42 chamfer and radius sanding unit

For sanding chamfers and radii at the bottom/top of veneer edges.

### Can be automated

For moving out of the working area and infinitely variable adjustment to different edge thicknesses.

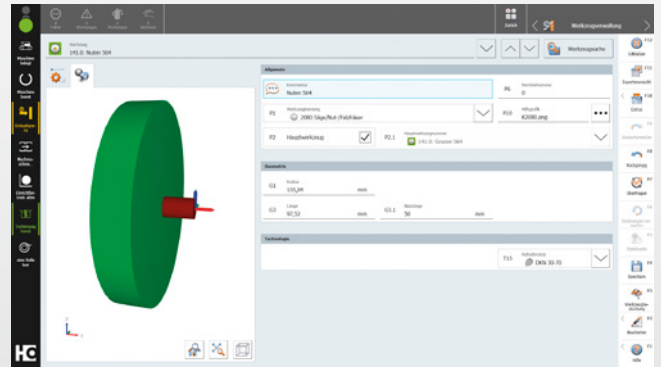




## The next generation of powerTouch: **powerTouch2**

Faster, more comfortable, clearer: Enjoy the benefits of our further improved powerTouch user interface. We have optimized our standardized operating concept and further adapted it to our customers' requirements. Controlling your HOMAG machines is now even faster and more intuitive. The new, modern design has a clear structure. The innovative touch operation allows you to achieve the desired result easily and comfortably.

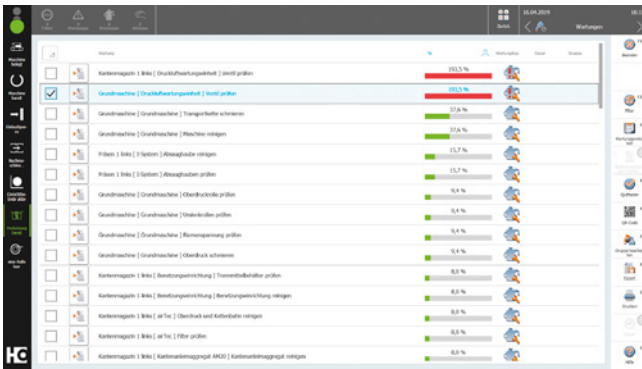
With the new powerTouch generation, you can enter information at your machine even more quickly. Compared to the previous version, you can achieve a time saving of up to 30%. This is possible thanks to new features, such as automatic word completion, a pop-up keyboard that can be kept open and Windows-like functions, such as the selection of common actions directly via the start button.



### THE HIGHLIGHTS AT A GLANCE:

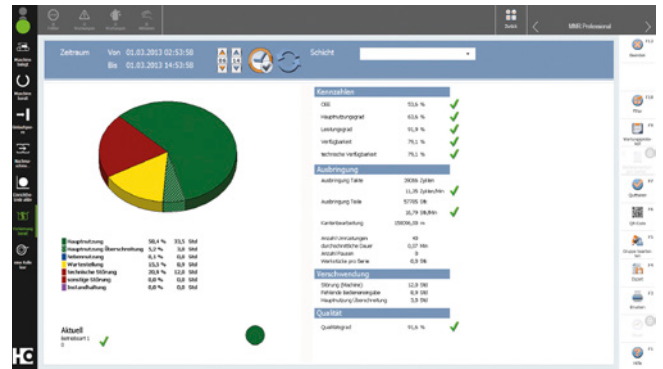
- Direct and efficient operation, up to 30% faster
- Clearer and more informative thanks to additional information and live illustrations instead of program icons
- New applications for operating and controlling machines and systems (e.g. NCCenter in the PC87 control system on CNC machines or woodCommander 5 on throughfeed machines)
- Fresh, attractive design, based on the new HOMAG machine design

# Software solutions on powerTouch2



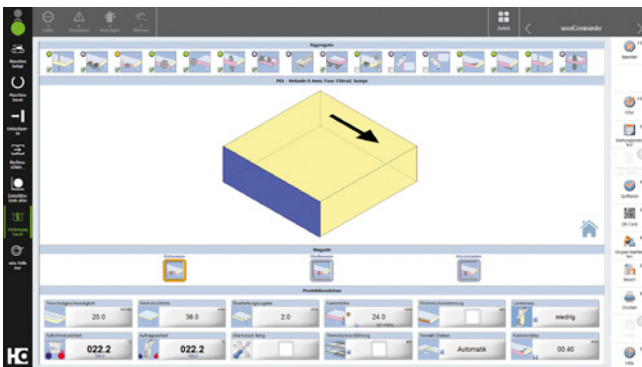
## Evaluation with MMR Basic

The software evaluates the productivity of your machine and provides maintenance instructions based on use.



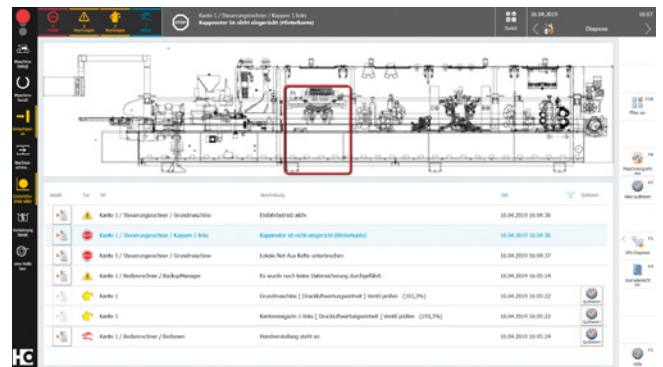
## MMR Professional (Option)

The extension to MMR Basic also evaluates shifts, analyzes error messages, and allows you to connect to central data evaluation in the office.



## Programming with woodCommander

User-friendly programming system thanks to graphically supported input screens.



## woodScout diagnostic system (option)

In addition to plain text error messages, woodScout displays the location of the malfunction on the machine graphically. In addition to the expert knowledge of the system, you can store your own measures for troubleshooting.



## woodFlex cell control system (option)

Parts tracking and control of machines in cells.

# Apps and digital assistants.

## Quick and easy support in your machine environment.

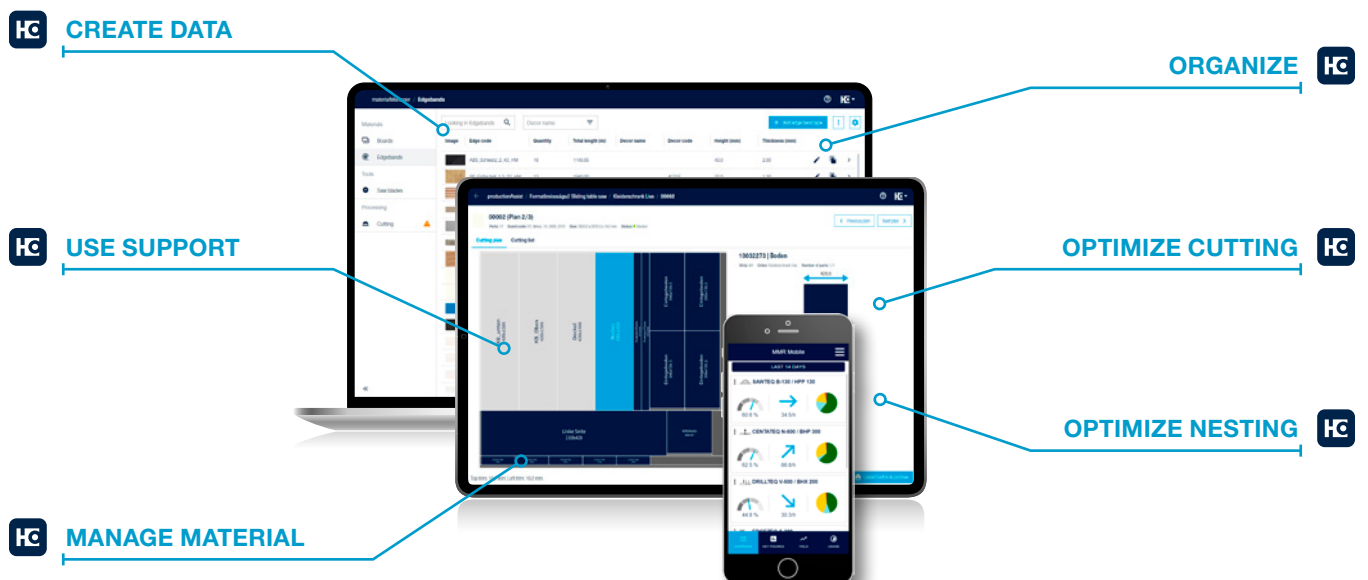
Some people still use pen and paper to create their cutting patterns. But they look at their smartphone if they want to know what the weather is like – instead of looking out of the window. We asked ourselves: why not combine the best of both? Our apps and digital solutions make your everyday work easier: machines, material, tools, cutting patterns, components – you always have everything in your pocket or on your desk.

### EXCERPTS FROM YOUR FEEDBACK:

- Are there simple solutions that can eliminate various obstacles in my day-to-day work (e.g. when organizing materials or sorting parts)?
- Is there a way to slowly approach using digital assistants?
- Which tools can you try out simply and easily without having to invest huge sums of money straight away?

### OUR ANSWER? SMART AND POWERFUL SOLUTIONS:

- ✓ Always low investment
- ✓ Always up to date (no updates necessary)
- ✓ Always easy to use (no complex software)
- ✓ Always helpful







## THE ADVANTAGES AT A GLANCE

- No investment, update or maintenance costs  
Low starting price, no unplanned financial expense
- Licenses are independent of the user  
Any number of employees can use the application without incurring additional costs
- Independent of hardware and operating system  
Can be used anywhere, anytime
- Open system – import possible from almost all systems (ERP, industry software, CAD/CAM, Excel, CSV)  
No obligation to use specific software systems
- Simple, smart operation  
Minimal training required
- More efficient production  
Jobs completed more quickly, more safely and in higher quality



More information at  
[digital.homag.com](https://digital.homag.com)

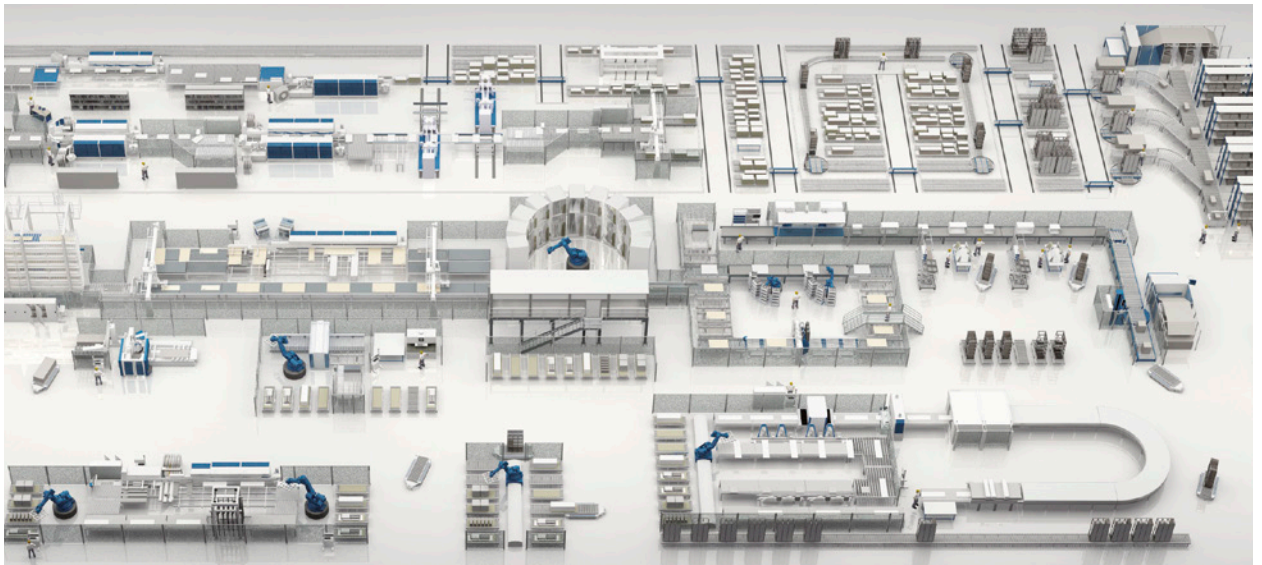


# Productivity | Only as good as the control system.

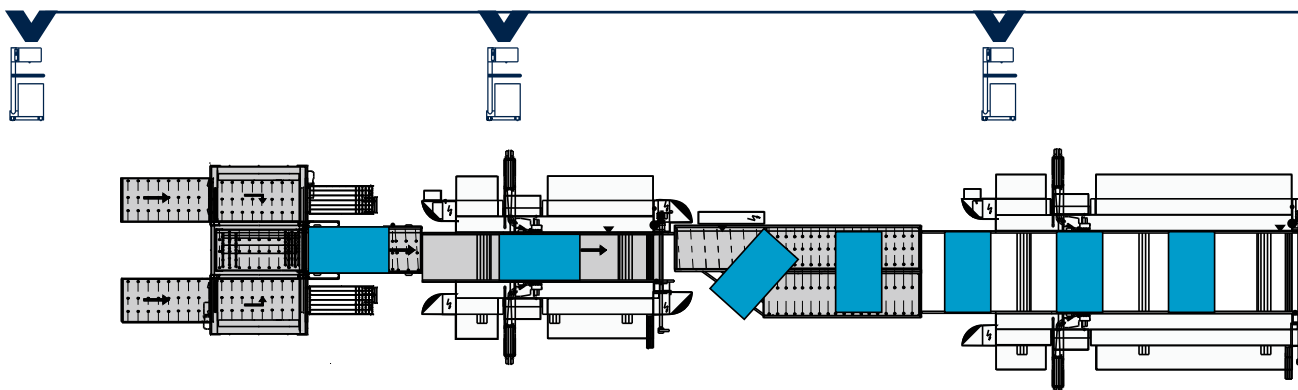
**TO INCREASE THE PRODUCTIVITY OF MACHINE LINES AND CELLS, HOMAG USES THE PC53 PRODUCTION LINE CONTROL UNIT.** This means that more workpieces can be processed per shift — a wide range of production options is economically possible. Incorrect entries by the operator are reduced and personnel are saved. You can rely on our long-standing expertise with systems installed worldwide.

### Data organization features\*

- Central creation and management of component information in an MS-SQL database
- Component identification via automatic and manual barcode reading systems
- Component identification through labeling and inkjet solutions
- Stack management with integrated printout of stack paperwork



## Machine control unit



**Performance enhancement features\***

- Central operation and monitoring of the production cell
- Automatic data distribution in the production cell through part tracking and connection of the machines via network
- Control of the production sequence via list control
- Increase in performance through automatic number of cycles and changeover gap calculation
- Edge preview to reduce downtimes due to missing edge material
- Feedback

**Features to increase availability\***

- woodScout diagnostic system for central display of all error messages from the line on the cell master computer
- Fast and safe troubleshooting through global TeleService

\* Features and interfaces partially optional

**Factory control system**



**Connection to**

- PPC (production planning and control)
- PCS (production control system)
- ERP
- Industry software

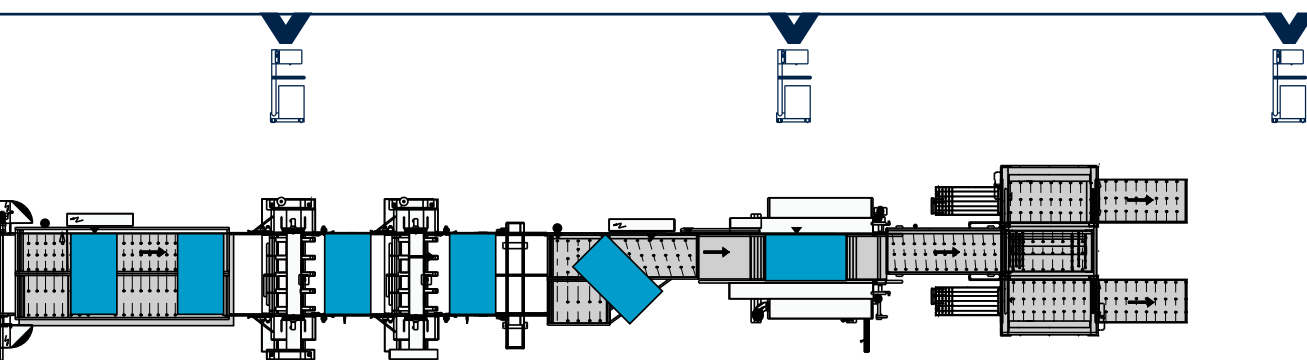
**Cell control system**



PC 53

**Connection to**

- Edge information
- Component description
- Stack information
- Production statistics (completion messages)
- TeleService
- Monitoring & Reporting



## Feeding and stacking systems | Compact and economical

**TODAY'S FURNITURE PRODUCTION CAN NO LONGER BE IMAGINED WITHOUT POWERFUL LOGISTICS WITH RELIABLE PRODUCTION TECHNOLOGY.** HOMAG offers you a comprehensive range for this purpose. The end-to-end

modularity makes the systems amazingly flexible in use. With their high performance and long service life, the feeding and stacking systems from HOMAG are the solution for efficient material handling.



### **Fail-safe transport no matter which panel**

Edges no longer break, surfaces are protected and, as a result, the quality of the material is assured.

- Minimization of waste and traces of handling thanks to workpiece handling that is gentle on the material
- Damage-free transport even for large thin parts
- Production ensured thanks to the controlled separation of workpieces that belong together using the offloading wall

TECHNICAL DATA		
	FxS* VERSION 25/12	FxS* VERSION 30/12
<b>Cycle output max. (parts/min)</b>	32 (18 cycles)	32 (18 cycles)
<b>Workpiece length (mm)</b>	200–2500	200–3000
<b>Workpiece width (mm)</b>	195–1200	195–1200
<b>Workpiece thickness (mm)</b>	12–60	12–60
<b>Workpiece weight (kg)</b>	50	50
<b>Stack height (mm)</b>	1600	1600
<b>Stack weight (kg)</b>	3500	3500
<b>Layer pattern (parts/track)</b>	1–4	1–4

\*FEEDTEQ as feed equipment and STACKTEQ as stack equipment are collectively referred to here as FxS.

**Parts per shift specify the cycle**

Feed system (FEEDTEQ) and stacking systems (STACKTEQ) are used in production chains with different performance classes to divide material stacks into individual panels using a feed system or to combine individual panels into books of panels (material stacks) using a stacking system.



**Cost savings and process stability thanks to intelligent material flow**

- Higher overall availability thanks to optimization of material handling
- Space required for material being transported is reduced to a minimum
- Higher degree of utilization thanks to optimal utilization of all machines in the interlinked production process



**Automation with the compact machines – transport with a high level of safety**

- Increased continuity and ability to plan production thanks to high process reliability
- More flexibility by increasing the speed of the entire system
- Optimal adaptation to the total value stream thanks to a secure material flow



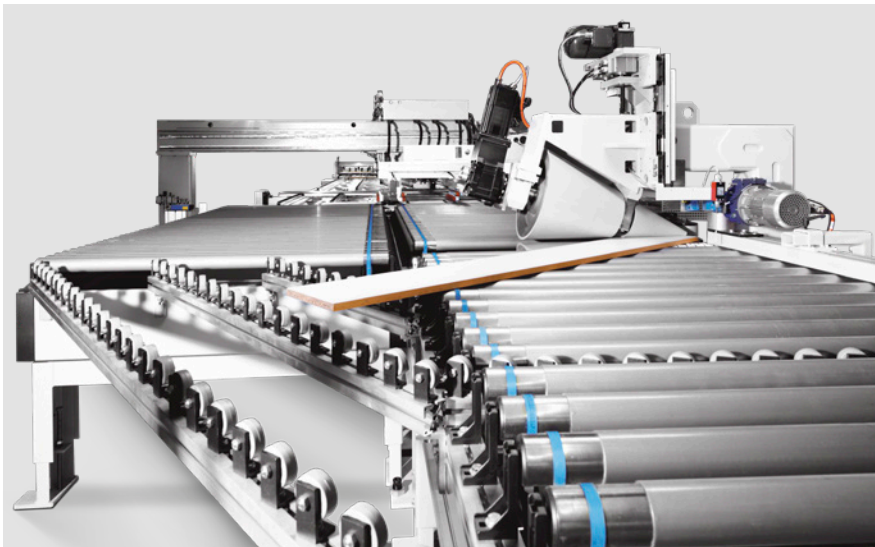
**Cost savings and increases in your profits**

- The automation with feed and stacking systems minimizes wear on the material to be processed.
- Effective layer formation when separating or collecting workpieces
  - The space required for the material to be transported is reduced to a minimum
  - The automated, secure material transport creates resources and enables more flexible personnel planning



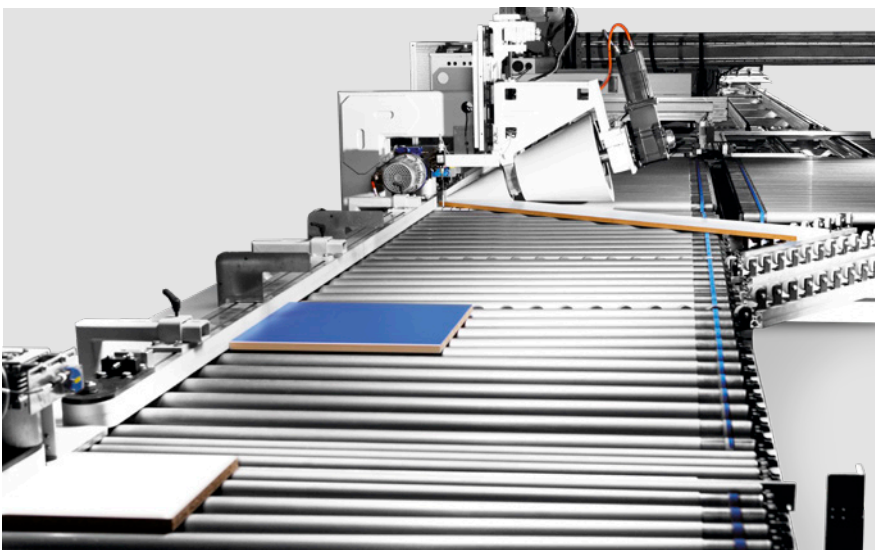
## Turning stations | You get the hang of it

**TURNING STATIONS FROM HOMAG ARE USED IN PRODUCTION LINES IN WHICH THE WORKPIECE ORIENTATION CHANGES BETWEEN THE PROCESSING STEPS.** The rotating cones move your workpieces gently and precisely.



### **TDL 310 – Turning in one plane**

Lifting rails support components with extreme dimensions during the turning process.



### **TDL 310 and 510 turning stations**

TDL 310, turning station longitudinal to crosswise

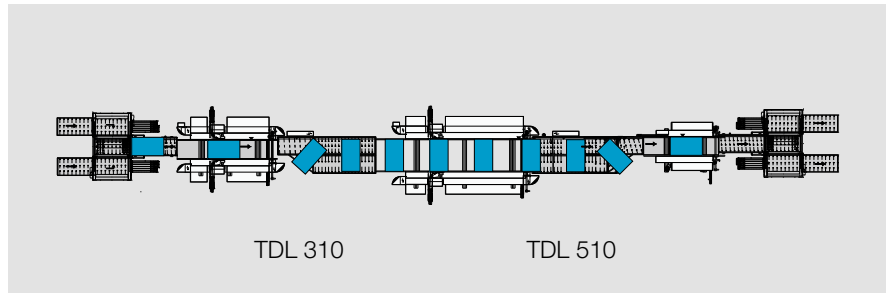
TDL 510, turning station crosswise to longitudinal

Can be expanded for:

- Lightweight construction panels
- Workpieces up to 80 kg or more

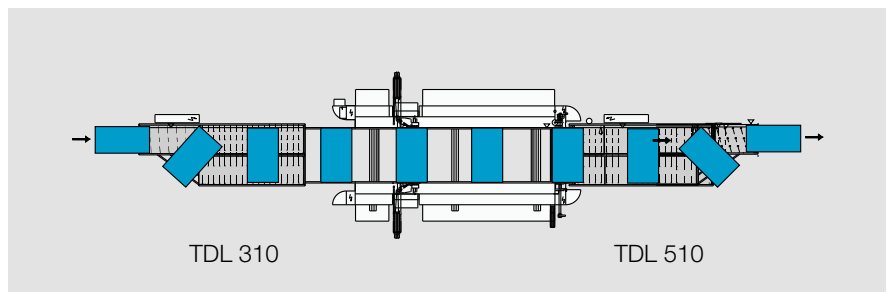
**Machine line with turning stations**

Longitudinal to crosswise and crosswise to longitudinal

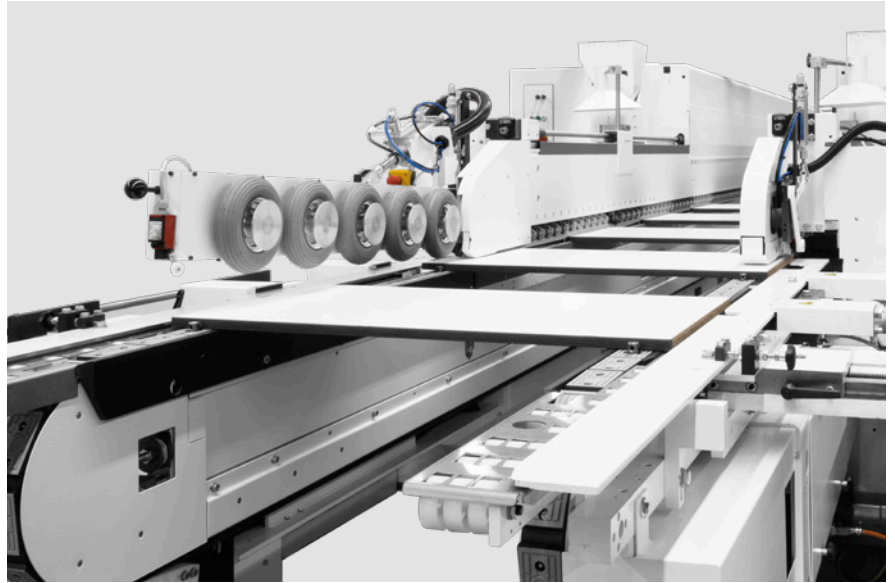


**Short line with turning stations**

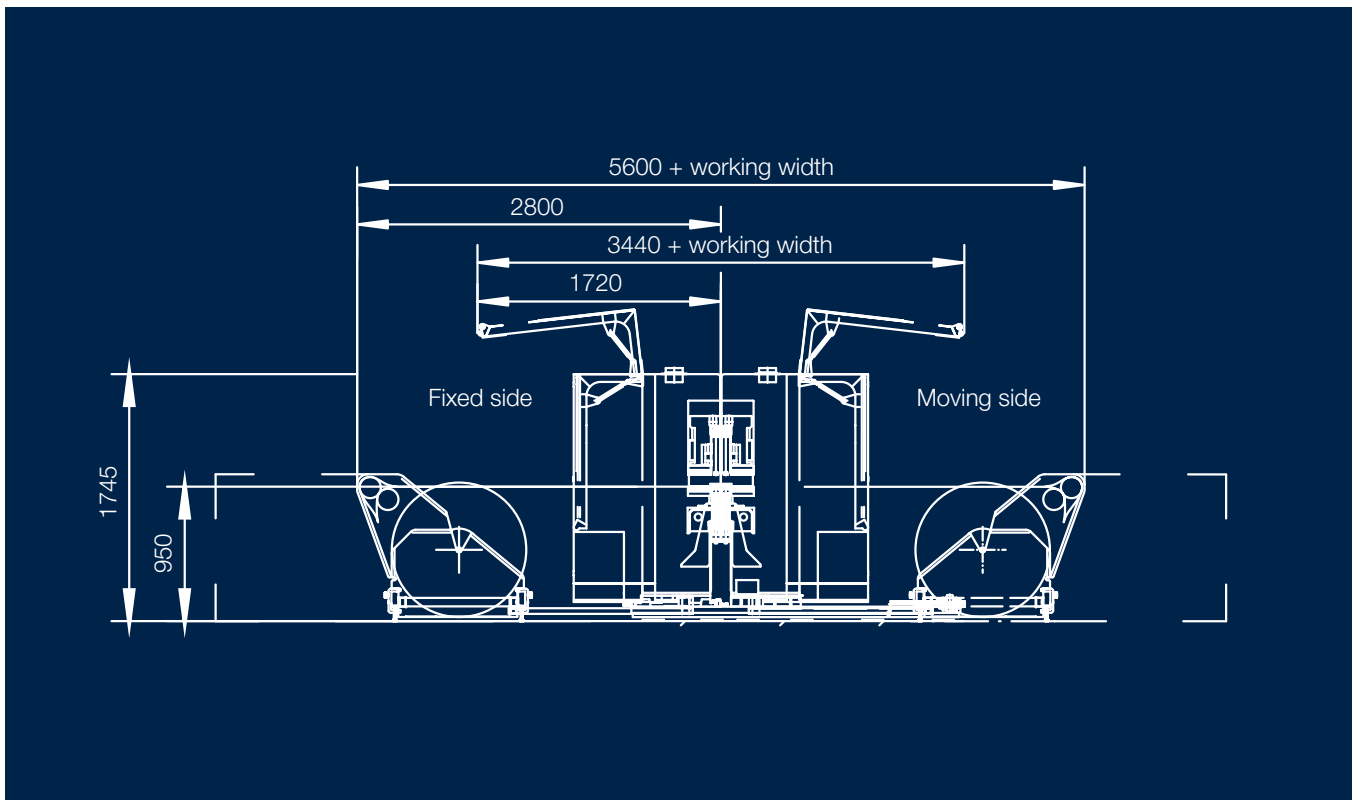
Longitudinal to crosswise and crosswise to longitudinal



## Technical data of the EDGETEQ D-610 profiLine

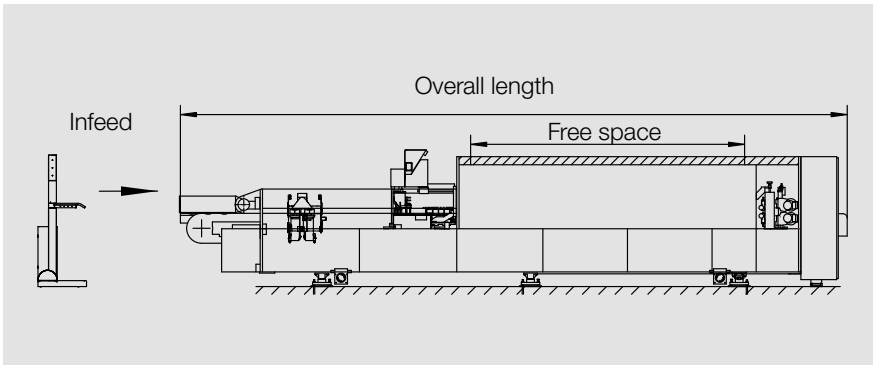


Machine length: 6650–12,880 mm



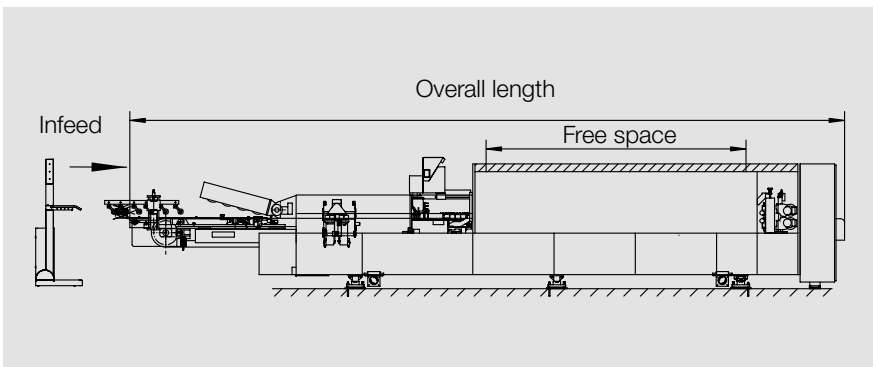
Width dimensions





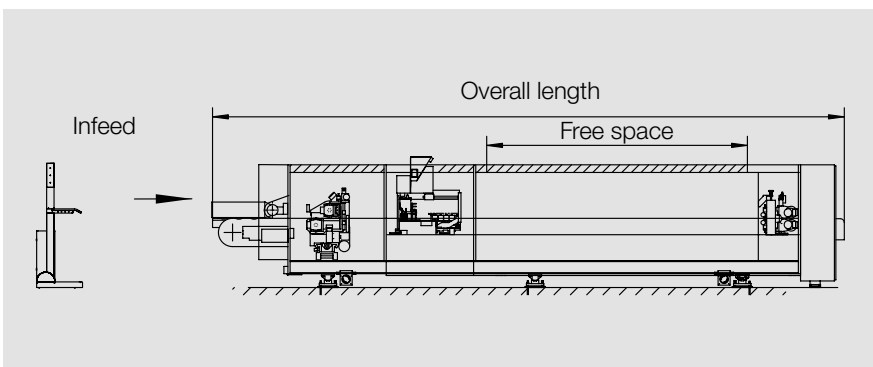
**EDGETEQ D-610 profilLine with joint trimming unit**

Machine 1 in a line.



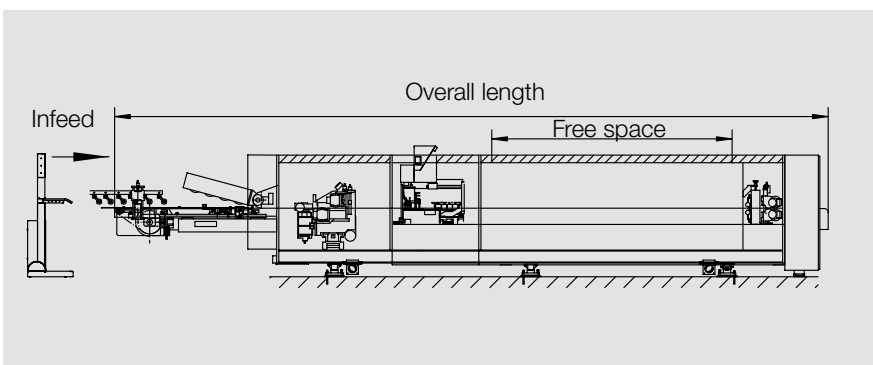
**EDGETEQ D-610 profilLine with joint trimming unit**

Machine 2 in a line or longitudinal/transverse machine in a short line or solo machine manually fed.



**EDGETEQ D-610 profilLine with compact double chipping unit**

Machine 1 in a line.



**EDGETEQ D-610 profilLine with compact double chipping unit**

Machine 2 in a line or longitudinal/transverse machine in a short line or solo machine manually fed.

# VALYOU

Our Mission, Your Performance.

## LIFE CYCLE SERVICES

Improved performance, more efficient processes, faster help, assurance of availability and smarter working

### TEAM & COVERAGE

Largest global service network in the industry with over 1,350 personnel.

### INSTALLATION & COMMISSIONING

For a smooth start, we only let proven experts manage your setup.

### OPERATION & CONTROL

After teaching your personnel the intuitive control system, our clever apps help to make the operator's life much easier.

### MAINTENANCE & SERVICING

To keep things running, we're happy to take a preventative approach. You decide how often and how intensively you want the support to be. As we all know, prevention is better than the cure.

### eSHOP & ONLINE ADVANTAGE

A few clicks and it's fixed. Receive exclusive advantages by ordering spare parts online, depending on market availability. [shop.homag.com](http://shop.homag.com)

### HOTLINE & READINESS

When there's an emergency, we're here. Direct by phone, digitally via app or video, or with on-site support. We are close to you with over 90 regional service organizations worldwide. With more than 35,000 spare parts immediately available, we can deliver 85% of your orders fast.

### TRAINING & EDUCATION

With classroom, live online or eLearning training, we offer flexible options to help you get knowledge. We conduct over 4,000 customer training courses every year, and we even have our own training centers in 19 countries

### MODERNIZATION & IMPROVEMENT

Our modernization program is tailored to your machines and processes. We can evaluate your data and situation and advise you on the next step.

### ANALYSIS & SUSTAINABILITY

On request, we analyze all your processes with proven tools and procedures (LeanSixSigma). We have a large, certified team of experts for this purpose.

### FINANCING & CONSULTING

We offer you tailor-made financing concepts worldwide. With more than 60 years of experience and a close partner network of prominent banks and insurance companies to help us to find the right solution for you, we're always transparent and reliable in processing.





**Fast support:**  
94% resolution rate  
via our hotline

**Close to you:**  
1,350 service experts worldwide

**We get things moving:**  
Over 1,000 worldwide spare parts  
shipments each day

**No one else has that:**  
Electronic documentation on over  
150,000 machines, available in 28  
languages



**HOMAG Group AG**

info@homag.com  
www.homag.com

**YOUR SOLUTION**